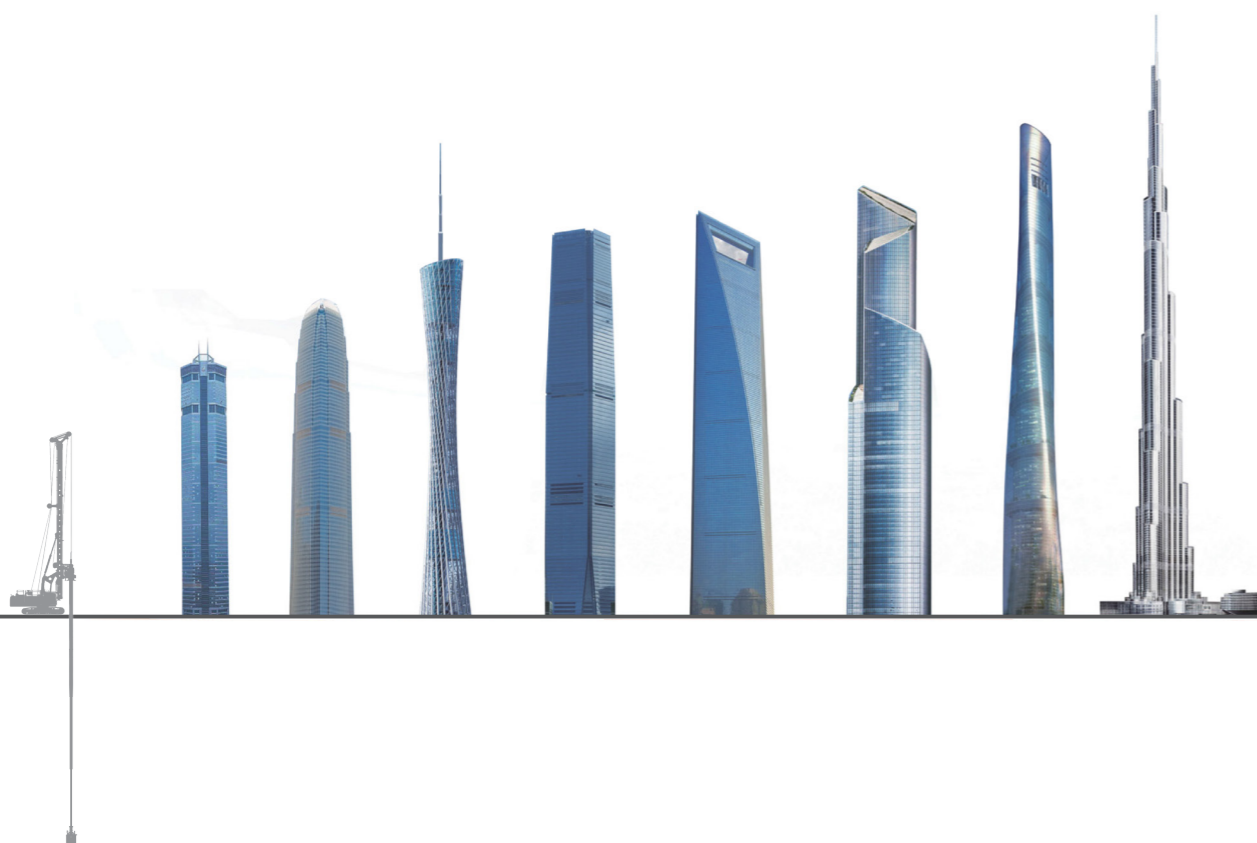


The world's **height** is determined by our drilling **depth**



d10

*Rotate wonderful new era
drill deep great future*

2017 Rotary Drilling Rig / SR405R

- Engine Power 377kW/1800rpm
- Max. pile diameter 2.8m
- Max. pile depth 112/72m



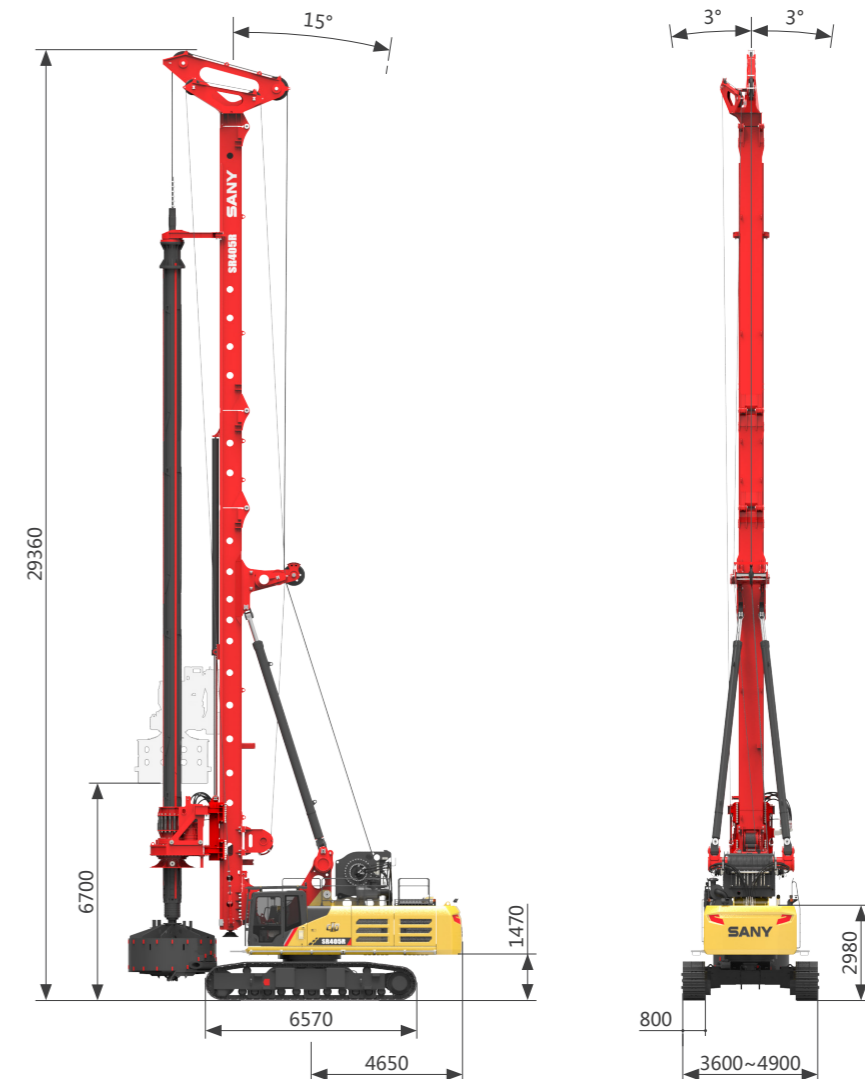


Main performances	Unit	Parameter	Remark
Pile			
Max. pile diameter	mm	2,800	
Max. pile depth	m	112/72	friction kelly/inter-locking kelly
Rotary Drive			
Max. output torque	kN-m	405	
Speed of rotation	rpm	4~25	
Crowd system			
Crowd force	kN	360	
Line pull	kN	380	
Stroke	mm	6,000	
Main winch			
Line pull	kN	420	
Rope diameter	mm	40	
Max. line speed	m/min	68	
Auxiliary winch			
Line pull	kN	90	
Rope diameter	mm	20	
Max. line speed	m/min	70	
Mast inclination			
Forward/backward	°	90/15	
Lateral	°	±3	
Main Chassis			
Base engine		ISUZU 6WG1X	
Engine power	kW/rpm	377/1,800	
Emission regulation		COM III /R96	
Engine displacement	L	15.68	
Chassis length	mm	7,950	
Extended width	mm	4,900	
Track shoe width	mm	800	
Swing radius	mm	4,700	backside
Overall machine			
Overall height	mm	29,360	
Operating weight	t	143	
Transport width	mm	3,600	
Transport height	mm	3,840	

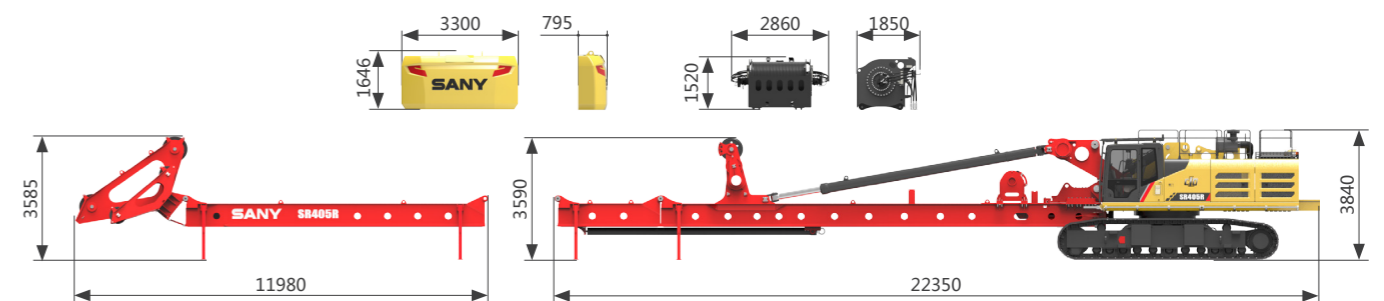
Configuration table	Option		Option		Option
MAST SYSTEM :					
Mast verticality measuring	●	Crowd upper limit protection	●	Casing driver	○
Mast sideward limits	●	Crowd force measuring	●	Air-conditioner	●
Outrigger cylinder	●	ROTARY DRIVE :		Radio	●
Boom working range measuring	●	Rotating speed measuring	●	Gradiometer	●
Rigging & derigging mode	●	Torque measuring	●	Anemometer	○
		Crowd self-adaption function	●	Caution light	○
MAIN WINCH :					
Overload measuring	●	Multi-gear control system	●	OPERATION SYSTEM :	
Ground touching protection	●	MAIN CHASSIS :		10-inch touch screen	●
Freewheel control	●	Oil pressure measuring device	●	SANY-ADMS control system	●
Fast lowering	●	All-directional lighting system	●	E-Pad	●
Camera monitoring system	●	Slew angle measuring	●	Central test point	●
Speed measuring	●	Emergency stop switch	●	Fault self-diagnosis system	●
Depth measuring	●	Slew siren	●	Intelligent construction management system	●
Upper limit protection function	●	Diesel-electric pump	●		
		Auto centralized lubricating-system	●	All-directional camera monitoring system	●
AUXILIARY WINCH :					
Upper limit protection function	●	Auto idle model	●	Digital simulation animation	●
CROWD SYSTEM :					
Crowd winch system	●	Low temperature preheat unit	○	Auto/manual mast verticality-adjusting	●
Tensioning cylinder	●	Integrated overload protection	●		

● Standard ○ Optional

Working dimensions



Unassembled state dimensions



Type of kelly bar

Friction kelly	Depth(m)	Inter-locking kelly	Depth(m)
Φ530×6×18	100	Φ530×4×18	65
Φ530×6×19	106	Φ530×4×19	69
Φ530×6×20	112	Φ530×4×20	72