



# SCC6500A

## SANY Crawler Crane

### 650 Tons Lifting Capacity

Quality Changes the World





**Crawler Crane Series  
SCC6500A**

P03	Main Characteristics	<ul style="list-style-type: none"> <li>▪ Driver's Cab</li> <li>▪ Upperworks</li> <li>▪ Lowerworks</li> <li>▪ Counterweight</li> <li>▪ Hydraulic System</li> <li>▪ Operating Weight</li> <li>▪ Ground Pressure</li> <li>▪ Gradeability</li> <li>▪ Operating Equipment</li> <li>▪ Safety Devices</li> </ul>
P10	Technical Parameters	<ul style="list-style-type: none"> <li>▪ Main Performance Parameters</li> <li>▪ Basic Dimensions of Crane</li> <li>▪ Transportation Dimensions</li> <li>▪ Transport Plan</li> <li>▪ Self-Assembly and Disassembly plan</li> <li>▪ Assembly Schematics</li> </ul>
P31	Combination of Working Conditions	<ul style="list-style-type: none"> <li>▪ H working condition</li> <li>▪ HDB working condition</li> <li>▪ HJ working condition</li> <li>▪ HJDB working condition</li> <li>▪ FJ working condition</li> <li>▪ FJDB working condition</li> <li>▪ HJFJ_1 working condition</li> <li>▪ HJFJ working condition</li> <li>▪ HJFJDB working condition</li> <li>▪ HJFJDB_4 working condition</li> <li>▪ LJ working condition</li> <li>▪ LJDB working condition</li> </ul>



**SCC6500A  
SANY CRAWLER CRANE  
650 TONS LIFTING CAPACITY**

QUALITY CHANGES THE WORLD

**Main Characteristics**

- Page 04 Driver's Cab
- Page 04 Upperworks
- Page 05 Lowerworks
- Page 06 Counterweight
- Page 06 Hydraulic System
- Page 06 Operating Weight
- Page 06 Ground Pressure
- Page 06 Gradeability
- Page 07 Operating Equipment
- Page 08 Safety Devices

**Driver's cab****Exterior**

- The cab's industrial design is made by Posche with smooth outline in aesthetic novelty. The great breakthrough marks it from the traditional engineering machinery, building a distinct brand identification. Sliding door structure is adopted, that is perfectly suitable on the crawler crane for the operator to sliding on and off the door. Fully-enclosed steel frame is applied with large faces of high-strength tempered glass on front, side and top ceiling, admitting sufficient lights. Furthermore, the cab is capacious and bright, offering wider view for the operator.

**Comfortability**

- Multimode and multilevel adjustable suspension seat with minimum vibration and noise is mounted, providing the most comfortable driving experience for the operator. Air conditioning and heater are provided to adjust the indoor temperature to a perfect level. The right and left armrests as well as the auxiliary operating panel are installed with operating handles, control buttons, ignition lock and other components. The seat, handles and buttons are laid out ergonomically with full consideration given to the operator's needs and habits. The control box and seat can be adjusted to the most comfortable position for the operator to make operation at ease. The driver's cab can tilt 15° upward or downward as needed for the work, or rotate to the dead ahead of the platform to facilitate the transportation.

**Upperworks****Engine**

- Cummins (EU Tier-III emission standard; and EU Tier IV as optional);
- Rated power: 447Kw;
- Rated speed: 1,800rpm;
- Max. output torque: 2,542N·m;
- Speed at maximum output torque: 1,400rpm.

**Load Hoisting Mechanism**

- A variable hydraulic motor drives the planetary gear reducer to control the lifting and lowering of main hoists I and II. Meanwhile, the infinitely variable displacement ensures the excellent acceleration of hoisting power of main hoist I and II.
- Lifting capacity below 325t needs only one hoist, while two hoists must be applied simultaneously when the capacity exceeds 325t. Synchronization function of main hoists I and II is available;
- The maximum parts of line is 48. Multi-layer winding for drum with fold-line grooves can avoid rope disorder. Reducer is featured with low noise, high efficiency, long service life, and convenient oil change.

<b>Main Hoisting Mechanism</b>	Drum diameter	630mm
	Rope speed on the outermost work layer	0~130m/min
	Wire rope diameter	28mm
	Wire rope length of main hoist	1180m
	Rated single line pull	17.1t
<b>Auxiliary Hoisting Mechanism</b>	Drum diameter	630mm
	Rope speed on the outermost work layer	0~120m/min
	Wire rope diameter	28mm
	Wire rope length of auxiliary hoist	665m
	Rated single line pull	17.1t

**Upperworks****Luffing Mechanism**

- Including: luffing mechanisms of the boom, jib and superlift;
- Drums with fold-line grooves are adopted for all luffing devices. Hydraulic motor drives the planetary gear reducer with excellent infinitely variable displacement to realize multi-functions.

<b>Main and Auxiliary Mechanism</b>	Drum diameter	630mm
	Rope speed on the outermost work layer	0~112m/min
	Steel rope diameter	28mm
	Steel rope length of main luffing	680m
<b>Auxiliary Luffing</b>	Drum diameter	630mm
	Rope speed on the outermost work layer	0~120m/min
	Steel rope diameter	28mm
	Steel rope length of auxiliary luffing	960m
<b>Superlift Luffing</b>	Drum diameter	630mm
	Rope speed on the outermost work layer	0~125m/min
	Steel rope diameter	28mm
	Steel rope length of superlift luffing	1020m

**Slewing Gear**

- Dual-motor is adopted for the swing hydraulic system to drive the spur gear drive through a planetary gear reducer and enables 360° rotation. The swing speed is 0--0.8rpm, which is infinitely variable. The swing, free of starting and stopping impact, operates steadily and is equipped with neutral free slipping function. Slewing bearing is three-cylindrical roller bearing with external engagement. A separator ring is designed to set apart the basic machine and undercarriage.

**Lowerworks****Carbody**

- The hydraulic cylinder drives power pin to be connected with track frame to facilitate the assembly and disassembly. Frame structures are welded by high-strength steel. Larger chassis design greatly improves the stability of the crane. The self-assembled center counterweight is 60t, with 30t at both front and the rear.

**Crawler Assembly**

- Track frame: each track frame is equipped with an independent travel driving device. A hydraulic travel motor drives the planetary gear reducer and realizes independent traveling through the transmission of driving wheel. The travel system is configured with high and low speeds: sufficient traction is provided in low speed to realize 100% pick and carry, while faster job-site transfer is possible in high travel speed. Infinite variable speed can be realized in travel driving system.
- Track shoe: it is manufactured by advanced casting techniques and materials with high strength and good wear resistance. After assembled on the machine, the tension can be adjusted by a hydraulic jack with shims used to secure the crawler position.

## Counterweight



- The counterweight includes: center counterweight, rear counterweight, superlift counterweight.

Name	Quantity	Length (m)	Width (m)	Height (m)	Unit Weight (t)
Center counterweight	6	2.49	2.35	0.534	10
Center counterweight Tray	2	2.78	2.91	1.2	4.4
Rear Counterweight	20	2.49	2.35	0.555	10
Rear Counterweight Tray	2	2.8	2.93	2.02	6.2
Superlift counterweight	30	2.49	2.35	0.534	10
Superlift Counterweight Tray	1	10.18	2.5	1.55	10.7

## Hydraulic System



- The whole hydraulic system includes that of hoisting, traveling, slewing, luffing, servo, back-stop, cooling system, and auxiliary hydraulic system. Major hydraulic components are original imports.
- Features: lifting, traveling, luffing, and slewing hydraulic systems are applied with closed circuits, which has advantages such as energy saving, high efficiency, instant responsiveness, low heat generation and long service life.
- Electrically-controlled proportional control components are adopted for the servo system to realize precise and intelligent control.
- External controlled and outflow balance valve is adopted for the back-stop system, which ensures the safety and reliability.
- The cooling hydraulic system is featured with large heat exchange power and good cooling effect.

## Operating Weight



- The operating weight is about 515t, including the Upperworks, lowerworks, rear counterweight of basic machine, center counterweight, 24m basic boom and 650t hook.

## Ground Pressure



- The average ground pressure of machine with basic boom is 0.15MPa.

## Gradeability



- The gradeability of machine with basic boom is 15%.

## Operating Equipment

All pipes and plates used on operating devices are made of high-strength steel, while the sheaves used on the tip of boom/jib and hooks are rolled welded sheaves.



### Boom

- The boom is a spatial lattice structure with equal section areas for inserts and tapered section areas for both ends. With pipes welded together, and boom tip and root strengthened with steel plates, it can better transfer the load.
- The length of the boom ranges from that (24m) of the base boom to the maximum length (108m) and it can be increased progressively by 6m.
- Composition: boom base 10.5m×1, transitional insert 12m×1, connecting section (boom top) 1.5m×1, insert section 6m×2, and insert section 12m×6.
- The extension jib shall be installed on the boom top.

### Fixed Jib

- The fixed jib is a spatial lattice structure with equal section areas for inserts and tapered section areas for both ends. With pipes welded together, and boom tip and root strengthened with steel plates, it can better transfer the load.
- The length of fixed jib ranges from 12m to 36m, which can be increased progressively by 12m.
- Composition: jib base 6m×1, jib insert 12m×2, and jib top 6m×1.

### Luffing Jib

- The luffing jib is a spatial lattice structure with equal section areas for inserts and tapered section areas for both ends. With pipes welded together, and boom tip and root strengthened with steel plates, it can better transfer the load.
- The length of the luffing jib ranges from 24m to 96m.
- Composition: jib base 10.5m×1, tapered section boom 6m×1, jib insert 6m×2, jib insert 12m×5, and jib top 7.5m×1.
- The extension jib shall be installed on the luffing jib top.

### Superlift Device

- The superlift mast is a spatial lattice structure with equal section areas for inserts and tapered section areas for both ends. With pipes welded together, and boom tip and root strengthened with steel plates, it can better transfer the load.
- The superlift mast is 36m long.
- Composition: mast base 12m×1, insert section 12m×1, and 12m×1.

### Hook

- 6 kinds of hooks are available, and specific parameters are as follows:

Name of Hook	Max. Lifting Capacity	Quantity	Pulleys	Unit Weight (t)
650t hook	650	1	2×13	20.2
250t hook	250	1	2×5	8.5
150t hook (single sheave block)	150	1	5	4.8
150t hook (double sheave block)	150	1	2×2	5.3
50t hook	50	1	1	1.4
18t ball hook	18	1	/	1

Note: the 650t hook can be decomposed to 325t hook.

## Safety Devices



### Load Moment Limiter

- The proprietary load moment limiter independently -developed by Sany is adopted, which forms a network with other controllers through CAN bus line, so as to realize safe and reliable control. The load moment limiter can automatically detect the hoisting weight of the crane and the angle of the boom, and display the rated load capacity, actual load, working radius, and the allowable height of the hook.
- The load moment limiter system consists of a large-screen color display, a host computer, angle sensors, tension sensors, pressure sensors and other components.

### Over-hoist Protection of the Main and Auxiliary Hooks

- It is used to prevent the over-hoist of the hook. When the lifting hook is raised to a certain height, the limit switch will start working, and hook will be automatically cut off from moving up by the control system. Meanwhile, the display and the buzzer will give alarms. At this moment, only hook lowering is allowed to prevent over-hoist action.

### Over-release Protection Device of the Main and Auxiliary Hook

- It is used to prevent the over-hoist of the hook. When the lifting hook is raised to a certain height, the limit switch will start working, and hook will be automatically cut off from moving up by the control system. Meanwhile, the display and the buzzer will give alarms. At this moment, only hook lowering is allowed to prevent over-hoist action.

### Over-hoist Protection of the Main and Auxiliary Hooks

- It is used to prevent the wire rope over-release. When the wire rope is released to the last three wraps, the limit switch will start working, and the releasing of rope will be automatically stopped by the control system. Meanwhile, the display and the buzzer will give alarms. At this moment, only rope retraction is allowed to prevent over release action.

### Boom Angle Limit

- When the elevation angle of the boom exceeds 85° or jib angle exceeds 75° , corresponding limit switch will be triggered, and the control system will automatically cut off the boom hoisting. Meanwhile, the display and the buzzer will give alarm=. At this moment, boom/jib luffing winch won't hoist but it can still lower down.
- When the lowering angle of the boom and the jib is respectively less than 30° and 15°, the lowering of the placing boom will be automatically stopped by the control system. Meanwhile, the display and the buzzer will give an alarm. At this moment, the lowering of relative placing boom will be limited, and such protection function will be automatically controlled by the moment limiter.
- When the boom down angle is less than 30° or jib down angle is less than 15°, the control system will automatically cut off the boom/jib from further lowering. Meanwhile, the display and the buzzer will give alarms. At this moment, boom/jib luffing winch won't be able to lower. This protection is automatically controlled by Load Moment Limiter.

### Back-stop Device

- The boom and the superlift mast are respectively equipped with a pair of back-stop cylinders. The high pressure of the cylinder shall be overcome when the boom tilts backwards, and high pressure oil will be supplemented automatically when the boom swings forwards to increase the tension and prevent the boom vibration and shaking back.
- The jib rear mast is equipped with a pair of back-stop cylinders, while the jib front mast is equipped with a pair of pneumatic cylinders to prevent the mast from the backward inclination and tension of the jib luffing wire rope.

### Brake of Hoisting Mechanism

- All hoisting brakes are spring loaded normally closed disc brakes, which are featured with large braking force, maintenance-free, safe and reliable use, and long service life.

### Closed Circuit Monitoring System

- It can be used to monitor the winding conditions of wire ropes of each hoisting mechanism, the conditions of superlift weight, and conditions around the equipment.

### Fault Auto-Diagnosis System

- Faults can be conveniently eliminated based on the fault code.

## Safety Devices



### Black Box

- It is able to record the operation data and machine movement, and analyze the remaining running conditions and service life of machine based on the actual performance.

### Pharos

- It is mounted on the top of the boom/jib and alerts in air during night.

### Anemometer

- It is mounted on the top of the boom/jib to monitor the wind speed in real time and display relative data on the monitor.

### Electronic Level Indicator

- It displays the tilting angle of the crane on the monitor in real time and protects the safe operation of the crane.

### Lightning Protection Device

- It includes the lightning protection device and the surge protection device, which can effectively protect the electric system elements and workers from lightning.

### Boom Angle Indicator

- It is a pendulum-type angle indicator fixed on one side of the boom base.

### Hook Latch

- The lifting hook is installed with a baffle plate to prevent wire rope from falling off.

### Swing and Traveling Alarm

- During swing and traveling, the alarm horn will be blown per certain frequency to alert the personnel around the crane. The horn can be shut off through the display.

### Function Lock

- The operation will be locked by pulling up the function locking lever on the right side of the seat inside the driver's cab or when the operator left the seat, after which no operating handles will be working so that improper operation caused by the body collision when getting on and off the crane can be avoided.

### Regulation of Engine Power Ultimate Load and Stalling Protection

- The controller can monitor the engine power so as to prevent stalling.

### Remote Monitoring System

- It monitors and analyzes the operation data so as to realize remote diagnosis of faults and timely solution.

### Proactive Safety Control Technology

- Swing speed can be automatically reduced based on boom length to make it safer;
- Flexible safety protection reduces the speed when the mechanism approaches to the safety limit position, which ensures reliability;
- Real-time monitor of hydraulic oil temperature allows limits on the action speed based on oil temperature, which protect the hydraulic components effectively;
- The protection can be set on man-machine interface as customer needs.



# SCC6500A SANY CRAWLER CRANE 650 TONS LIFTING CAPACITY

QUALITY CHANGES THE WORLD

## Technical Parameters

- Page 11 Main Performance Parameters
- Page 12 Basic Dimensions of Crane
- Page 14 Transportation Dimensions
- Page 22 Transport Plan
- Page 26 Self-Assembly and Disassembly plan
- Page 27 Assembly Schematics

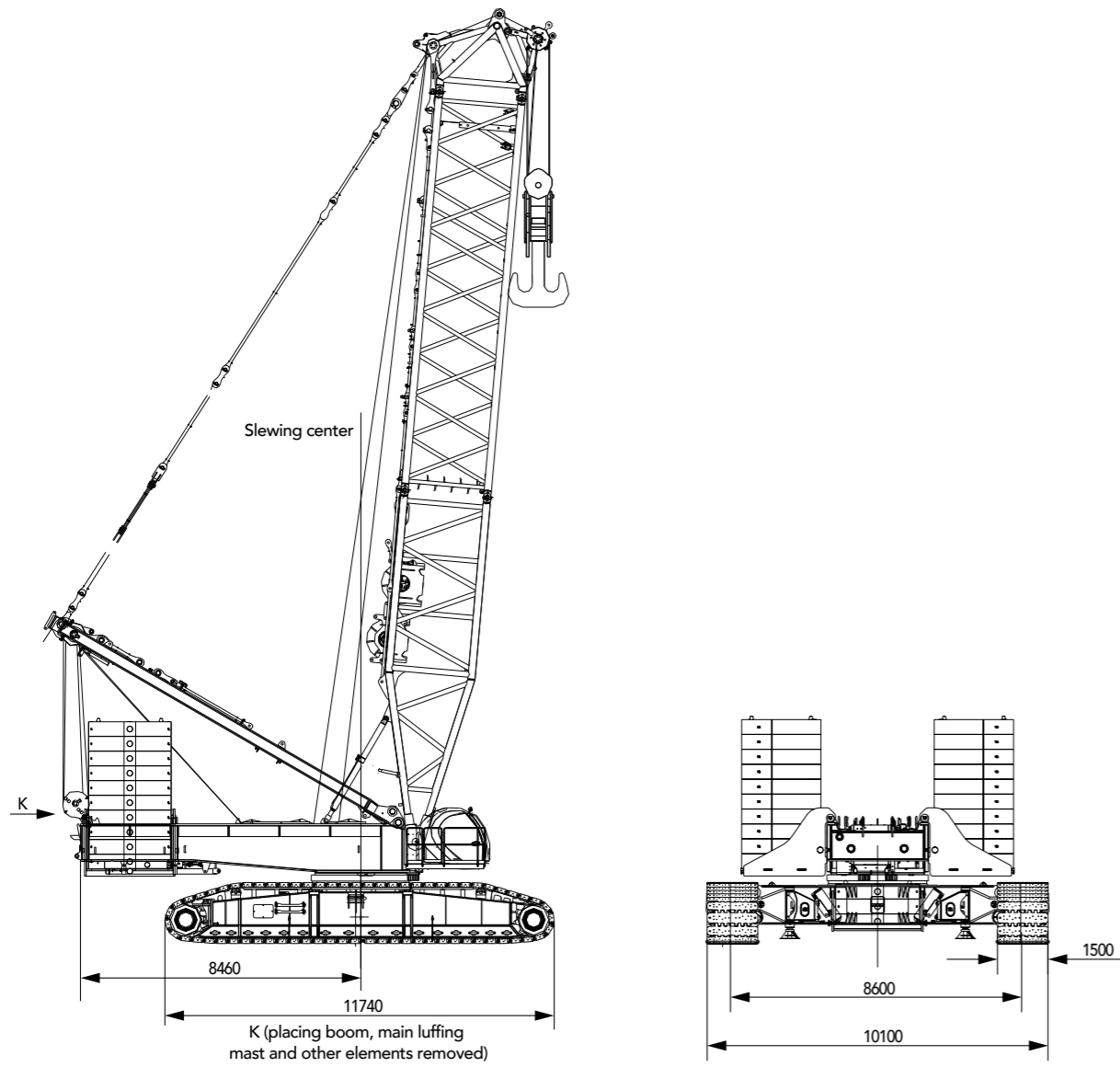


### Main Performance Parameters

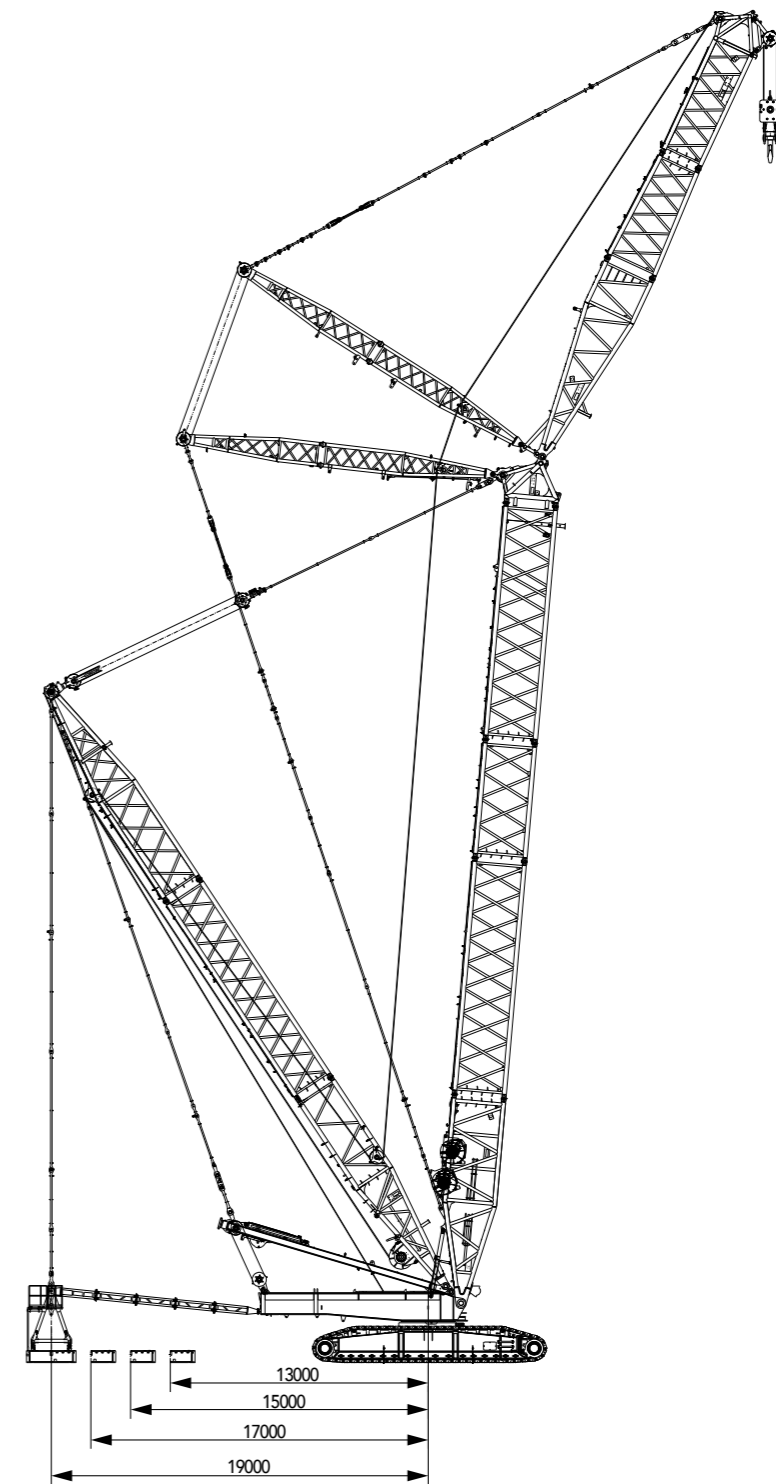
#### SCC6500A Major Performance Specifications

Performance Indicators	Unit	Parameter
Max. rated lifting capacity	t	650 (5.5m working radius)
Max. rated lifting capacity (with superlift)	t	650 (10m working radius)
Max. rated lifting moment	t·m	3920
Max. rated lifting moment (with superlift)	t·m	8600
Boom length	m	24 ~ 96
Boom length (with superlift)	m	36 ~ 108
Length of mixed boom	m	66 ~ 114
Length of mixed boom (with superlift)	m	90 ~ 144
Length of luffing jib	m	24 ~ 66
Length of luffing jib (with superlift)	m	24 ~ 96
Length of fixed short jib	m	12 ~ 36
Combination of longest booms (LJDB working condition)	m	96+96
Longest boom + jib of wind turbine working condition (without superlift)	m	114+12
Longest boom+ jib of wind turbine working condition (with superlift)	m	144+12
Boom luffing angle	°	30 ~ 85
Jib luffing angle	°	15 ~ 75
Max. speed of single rope of the main hoist (outermost work layer)	m/min	130
Max. speed of single rope of the auxiliary hoist (outermost work layer)	m/min	120
Max. speed of single rope of the boom luffing (outermost work layer)	m/min	56×2
Max. speed of single rope of the jib luffing (outermost work layer)	m/min	120
Max. speed of single rope of the superlift luffing (outermost work layer)	m/min	125
Swing speed (no load)	r/min	0.8
Travel speed	km/h	0 ~ 1.0 ( high speed) / 0 ~ 0.3 (low speed)
Gradeability (with base boom, driver's cab backwards)	%	15
Rated output power of the engine	kW/r/min	447/1800
Crane weight (basic boom, 210t rear counterweight, 60t center counterweight, and 650t hook)	t	515
Average ground pressure of the track (basic boom, 210t rear counterweight, 60t center counterweight, and 650t hook)	MPa	0.15
Rear counterweight of the basic machine	t	210
Superlift counterweight (including tray)	t	310
Center counterweight	t	60
Max. transport dimension of single part(L × W × H)	mm	13290×3000×3200
Max. transport weight of single part	t	65
Max. transport weight of single part (with separator)	t	44.5

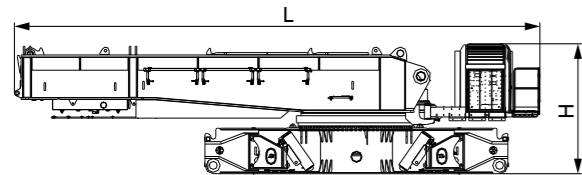
**Basic Dimensions of Crane**



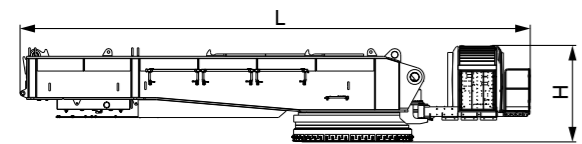
**Basic Dimensions of Crane**



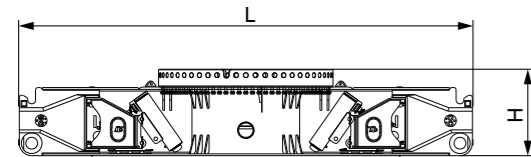
Transportation Dimensions



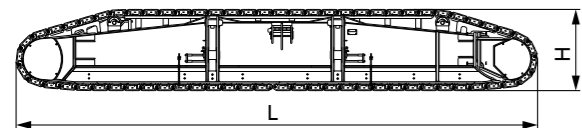
<b>Main body (Upperworks and lowerworks not separated)</b>	<b>×1</b>
Length (L)	13.29m
Width (W)	3.00m
Height (H)	3.20m
Weight	65t



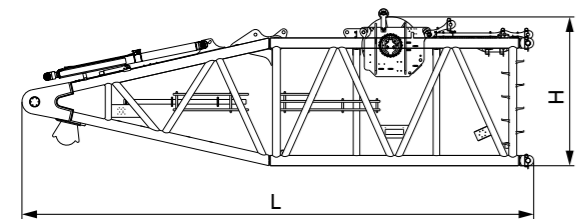
<b>Main body (Upperworks and lowerworks separated)</b>	<b>×1</b>
Length (L)	13.29m
Width (W)	3.00m
Height (H)	2.52m
Weight	44.5t



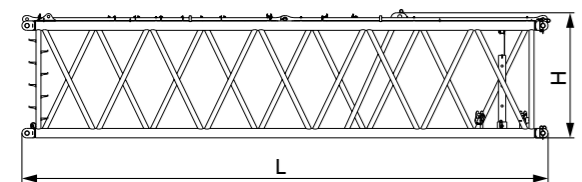
<b>Carbody (Upperworks and lowerworks separated)</b>	<b>×1</b>
Length (L)	7.68m
Width (W)	3.00m
Height (H)	1.46m
Weight	28.5t



<b>Crawler assembly</b>	<b>×2</b>
Length (L)	11.74m
Width (W)	1.85m
Height (H)	1.76m
Weight	44.6t

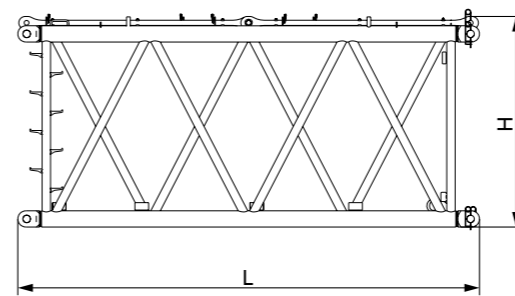


<b>Boom base of the boom (H2)</b>	<b>×1</b>
Length (L)	10.9m
Width (W)	3.0m
Height (H)	3.2m
Weight (with auxiliary luffing hoist)	19.2t

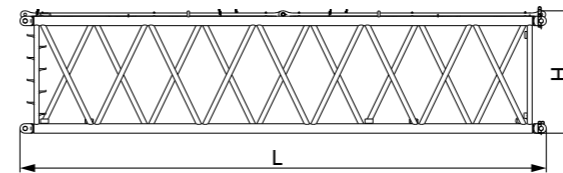


<b>12m transition boom (H4)</b>	<b>×1</b>
Length (L)	12.24m
Width (W)	2.99m
Height (H)	2.9m
Weight	8.4t

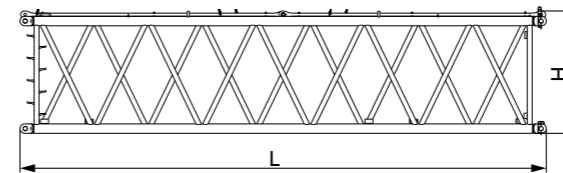
Transportation Dimensions



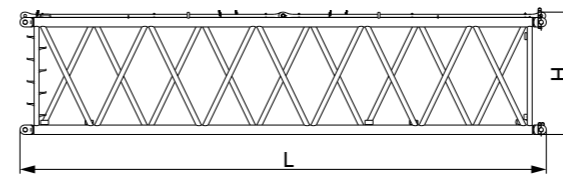
<b>6m boom insert (H6)</b>	<b>×2</b>
Length (L)	6.24m
Width (W)	2.99m
Height (H)	2.84m
Weight	4.7t



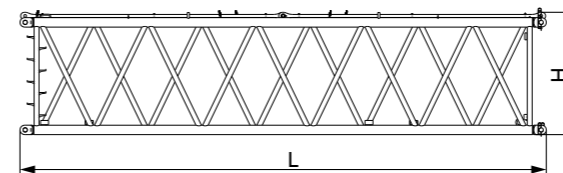
<b>12m boom insert (H8B)</b>	<b>×2</b>
Length (L)	12.2m
Width (W)	2.99m
Height (H)	2.84m
Weight	8.5t



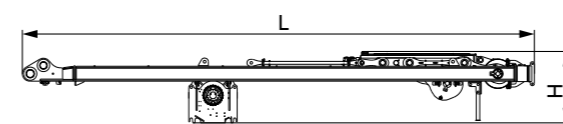
<b>12m boom insert (H8C)</b>	<b>×2</b>
Length (L)	12.2m
Width (W)	2.99m
Height (H)	2.84m
Weight	7.5t



<b>12m boom insert (H8D)</b>	<b>×2</b>
Length (L)	12.2m
Width (W)	2.99m
Height (H)	2.84m
Weight	6.8t



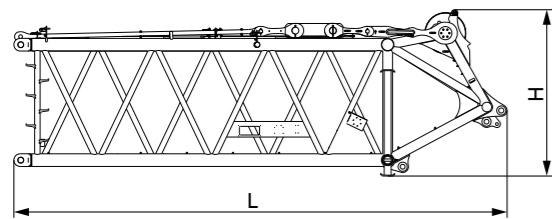
<b>12m boom insert (H8E)</b>	<b>×1</b>
Length (L)	12.2m
Width (W)	2.99m
Height (H)	2.84m
Weight (with auxiliary luffing hoist)	6.8t



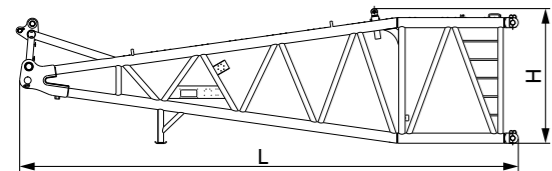
<b>Boom luffing mast</b>	<b>×1</b>
Length (L)	12.4m
Width (W)	2.41m
Height (H)	1.72m
Weight (including boom hoist winch)	20.4t



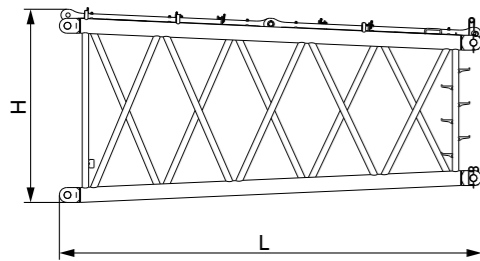
Transportation Dimensions



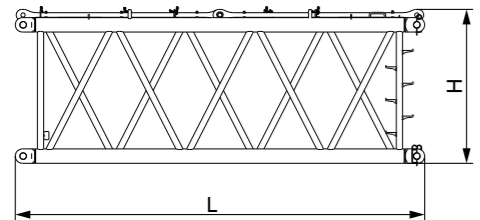
<b>Luffing jib top (LJ1)</b>	<b>×1</b>
Length (L)	8.55m
Width (W)	2.57m
Height (H)	2.88m
Weight	6.5t



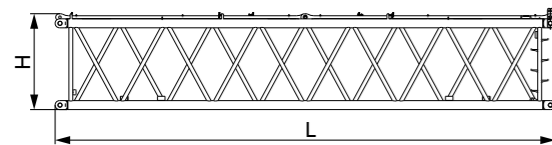
<b>Luffing jib base (LJ2)</b>	<b>×1</b>
Length (L)	10.8m
Width (W)	2.99m
Height (H)	2.91m
Weight	8t



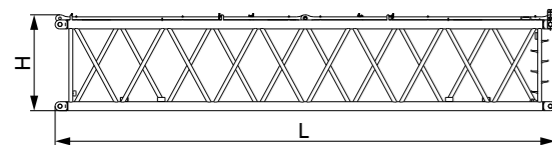
<b>6m jib tapered section (LJ4)</b>	<b>×1</b>
Length (L)	6.2m
Width (W)	2.99m
Height (H)	2.85m
Weight	3.2t



<b>6m luffing jib insert (LJ6)</b>	<b>×2</b>
Length (L)	6.2m
Width (W)	2.64m
Height (H)	2.34m
Weight	3.1t

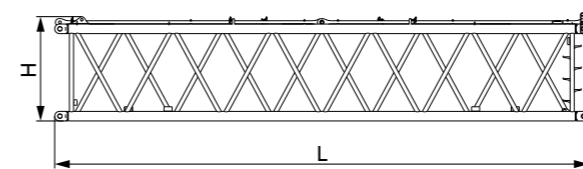


<b>12m luffing jib insert (LJ8A)</b>	<b>×1</b>
Length (L)	12.2m
Width (W)	2.64m
Height (H)	2.34m
Weight (with auxiliary luffing hoist)	5.3t

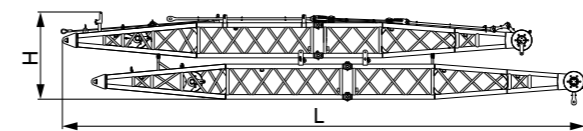


<b>12m luffing jib insert (LJ8B)</b>	<b>×2</b>
Length (L)	12.2m
Width (W)	2.64m
Height (H)	2.34m
Weight	5t

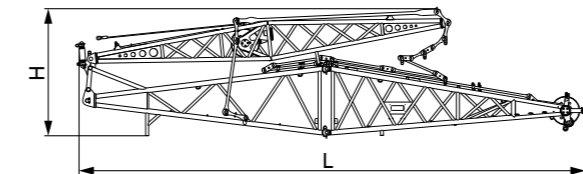
Transportation Dimensions



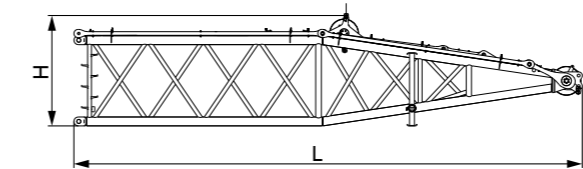
<b>12m luffing jib insert (LJ8C)</b>	<b>×1</b>
Length (L)	12.2m
Width (W)	2.64m
Height (H)	2.39m
Weight	5t



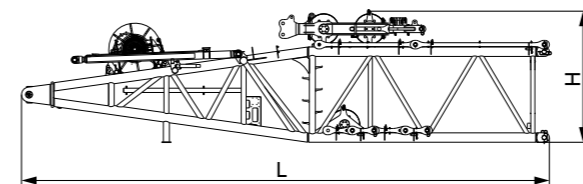
<b>Front and rear masts of luffing jib</b>	<b>×1</b>
Length (L)	18m
Width (W)	2.54m
Height (H)	3.00m
Weight	15.4t



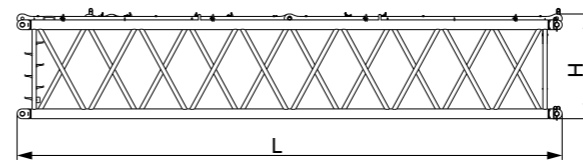
<b>Fixed jib assembly</b>	<b>×1</b>
Length (L)	12.71m
Width (W)	2.48m
Height (H)	3.19m
Weight	5.8t



<b>Superlift mast top (D1)</b>	<b>×1</b>
Length (L)	12.51m
Width (W)	2.99m
Height (H)	2.72m
Weight	10.6t

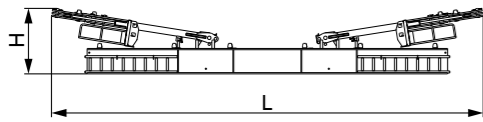


<b>Superlift mast base (D2)</b>	<b>×1</b>
Length (L)	12.3m
Width (W)	2.99m
Height (H)	3.05m
Weight (with hoist)	20.5t

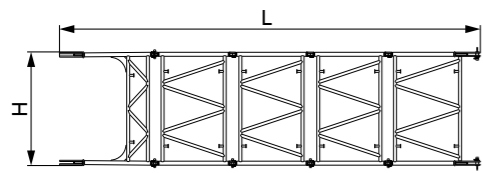


<b>12m superlift mast insert (D3)</b>	<b>×1</b>
Length (L)	12.2m
Width (W)	2.57m
Height (H)	2.35m
Weight	7.6t

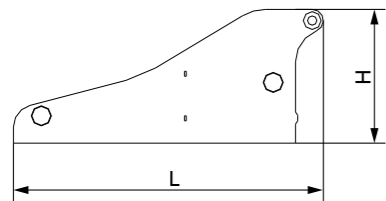
Transportation Dimensions



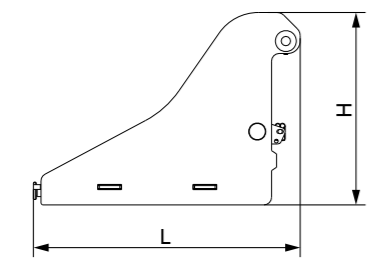
<b>Superlift counterweight frame</b>	<b>×1</b>
Length (L)	10.18m
Width (W)	2.5m
Height (H)	1.55m
Weight	10.7t



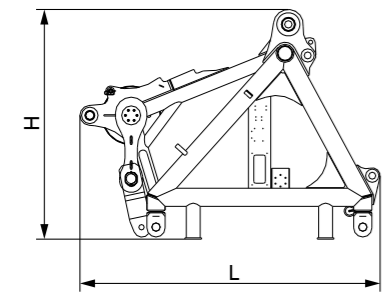
<b>Superlift mast strut</b>	<b>×1</b>
Length (L)	10.7m
Width (W)	2.89m
Height (H)	0.43m
Weight	2.7t



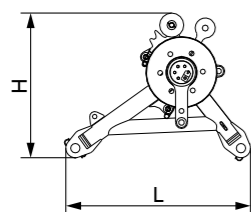
<b>Center counterweight tray</b>	<b>×2</b>
Length (L)	2.78m
Width (W)	2.91m
Height (H)	1.2m
Weight	4.4t



<b>Rear counterweight tray</b>	<b>×2</b>
Length (L)	2.8m
Width (W)	2.93m
Height (H)	2.02m
Weight	6.2t

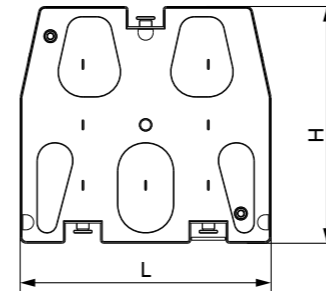


<b>Connection tip</b>	<b>×1</b>
Length (L)	3.63m
Width (W)	2.99m
Height (H)	2.77m
Weight(with auxiliary luffing hoist)	6.1t

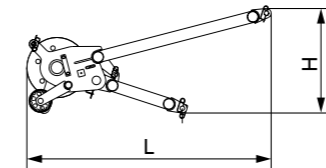


<b>Sheave block</b>	<b>×2</b>
Length (L)	1.84m
Width (W)	1.67m
Height (H)	1.44m
Weight	2.3t

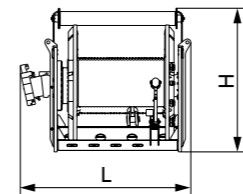
Transportation Dimensions



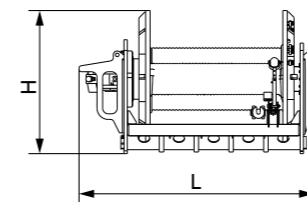
<b>10t Counterweight block</b>	<b>×56</b>
Length (L)	2.49m
Width (W)	2.35m
Height (H)	0.555m
Weight	10t



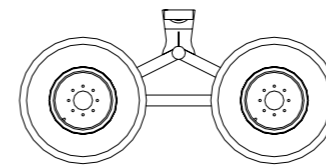
<b>Extension jib (HT)</b>	<b>×1</b>
Length (L)	2.6m
Width (W)	1.07m
Height (H)	1.11m
Weight	0.45t



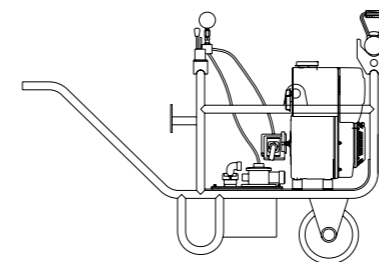
<b>Jib luffing hoisting mechanism</b>	<b>×1</b>
Length (L)	1.71m
Width (W)	1.5m
Height (H)	1.44m
Weight	6.3t



<b>Boom hoisting mechanism</b>	<b>×2</b>
Length (L)	2.09m
Width (W)	1.34m
Height (H)	1.27m
Weight	7.1t

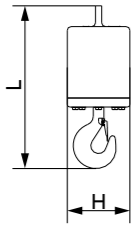


<b>Counterweight trolley</b>	<b>×1</b>
Length (L)	3.3m
Width (W)	2.0m
Height (H)	1.61m
Weight (with auxiliary luffing hoist)	1.9t

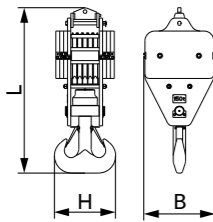


<b>Portable power pack</b>	<b>×1</b>
Length (L)	1.55m
Width (W)	0.7m
Height (H)	1.09m
Weight	0.2t

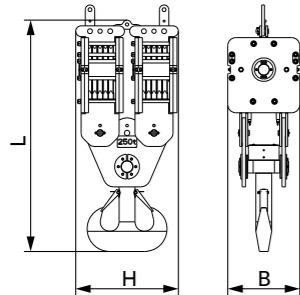
Transportation Dimensions



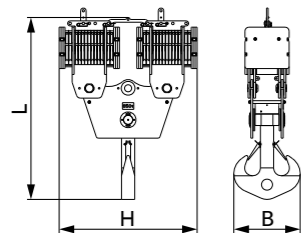
<b>18T ball hook</b>	<b>×1</b>
Length (L)	1.3m
Width (W)	0.5m
Height (H)	0.5m
Weight	1t



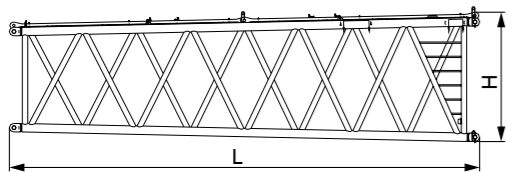
<b>150T hook</b>	<b>×1</b>
Length (L)	2.55m
Width (W)	0.95m
Height (H)	1.1m
Weight	4.75t



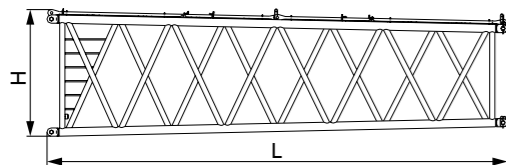
<b>250T hook</b>	<b>×1</b>
Length (L)	3.43m
Width (W)	1.07m
Height (H)	1.52m
Weight	8.5t



<b>650t hook</b>	<b>×1</b>
Length (L)	4.61m
Width (W)	1.68m
Height (H)	3.5m
Weight	20.2t

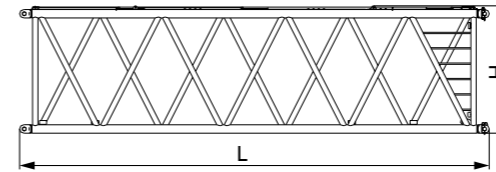


<b>12m lower transition section (ZH4A)</b>	<b>×1</b>
Length (L)	12.2m
Width (W)	3.56m
Height (H)	3.36m
Weight (with auxiliary luffing hoist)	10.8t

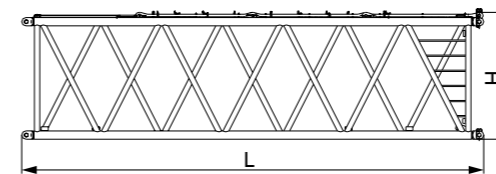


<b>12m upper transition section (ZH4B)</b>	<b>×1</b>
Length (L)	12.2m
Width (W)	3.56m
Height (H)	3.36m
Weight	9.2t

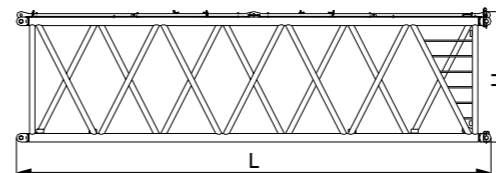
Transportation Dimensions



<b>12m insert of reinforced boom A (ZH8A)</b>	<b>×1</b>
Length (L)	12.2m
Width (W)	3.56m
Height (H)	3.36m
Weight	9.4t



<b>12m insert of reinforced boom B (ZH8B)</b>	<b>×1</b>
Length (L)	12.2m
Width (W)	2.99m
Height (H)	2.84m
Weight	8.4t

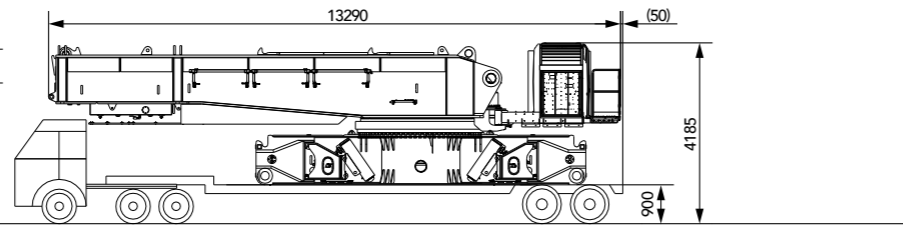


<b>12m insert of reinforced boom C (ZH8C)</b>	<b>×1</b>
Length (L)	12.2m
Width (W)	3.56m
Height (H)	3.36m
Weight	9.3t

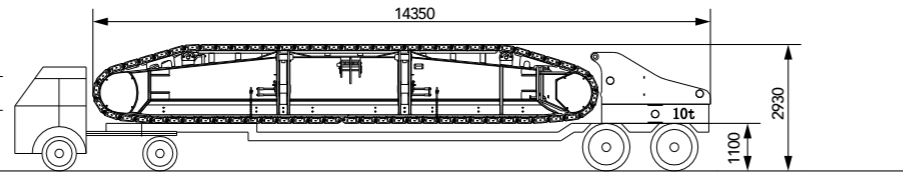
Note:  
 1.The transport dimensions of each part in the table are schematic, not proportional to the real parts. The dimensions are designed value without package considered.  
 2.Weight is designed value that the actual manufactured part may deviate a little.  
 3.The dimensions and weight of each part may change due to product upgrading. The final values are subject to the new product.

### Transport Plan

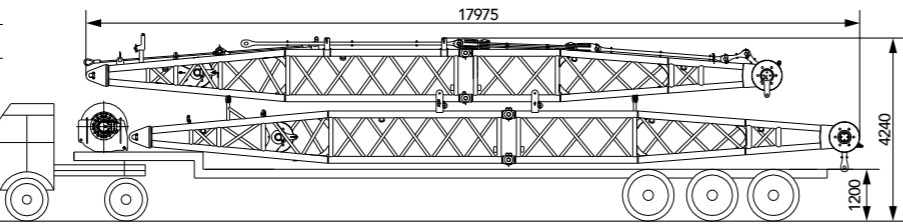
- Components included ▪ Basic Machine
- Weight ▪ 65t
- Number of trailer ▪ 1 trailer



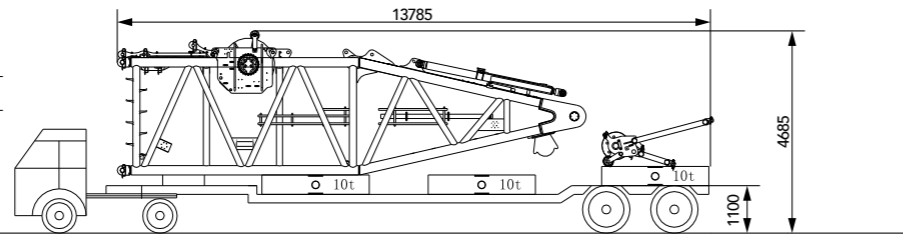
- Components included ▪ Track assembly (left and right)
- 10t counterweight x1
- Center counterweight
- Tray x1
- Weight ▪ 59t
- Number of trailer ▪ 2 trailers



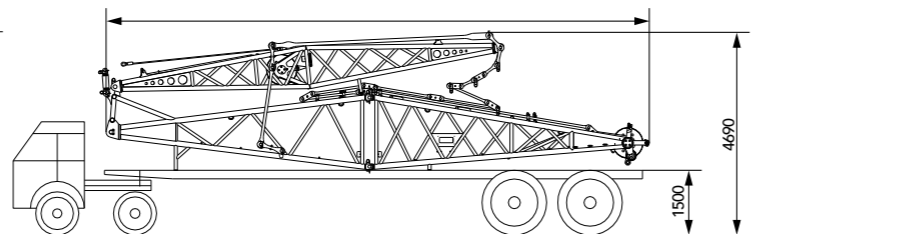
- Components included ▪ Front and rear masts of luffing
- Main hoist winch x1
- Weight ▪ 22.5t
- Number of trailer ▪ 1 trailer



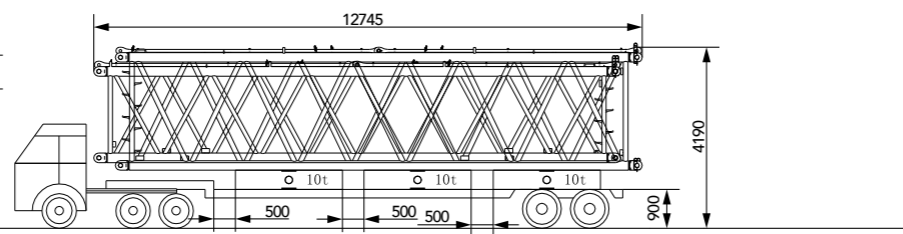
- Components included ▪ Boom base
- 1 jib luffing winch
- 10t counterweight x3
- Extension jib
- Weight ▪ 49.7t
- Number of trailer ▪ 1 trailer



- Components included ▪ Fixed jib assembly
- Weight ▪ 5.8t
- Number of trailer ▪ 1 trailer

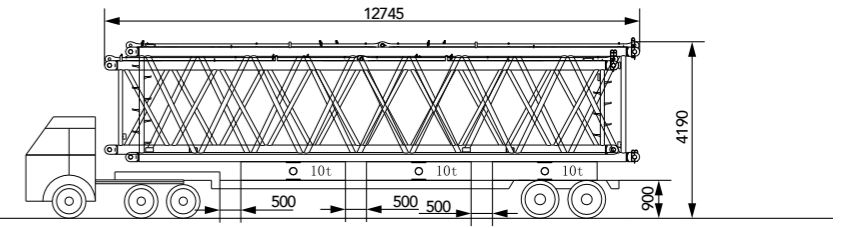


- Components included ▪ 12m boom insert B
- 12m jib B
- 10t counterweight x3
- Weight ▪ 43.5t
- Number of trailer ▪ 2 trailers

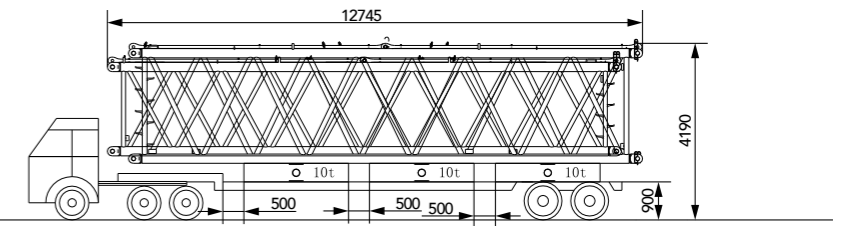


### Transport Plan

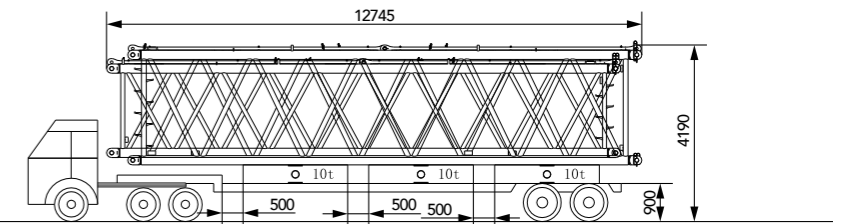
- Components included ▪ 12m boom insert C
- 12m jib insert C
- 10t counterweight x3
- Weight ▪ 42.5t
- Number of trailer ▪ 1 trailer



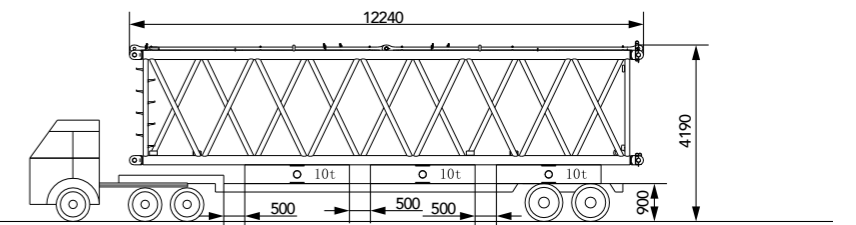
- Components included ▪ 12m boom insert C
- 12m jib insert A
- 10t counterweight x3
- Weight ▪ 42.8t
- Number of trailer ▪ 1 trailer



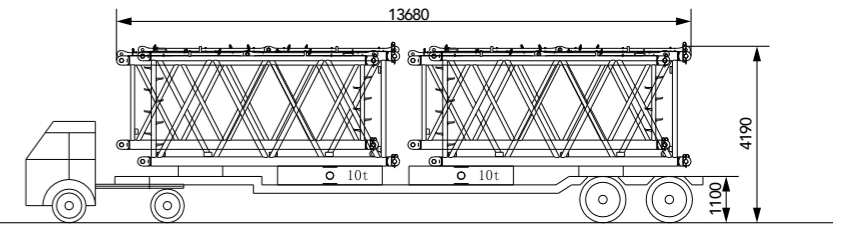
- Components included ▪ 12m boom insert D
- 12m superlift mast insert
- 10t counterweight x3
- Weight ▪ 44.4t
- Number of trailer ▪ 1 trailer



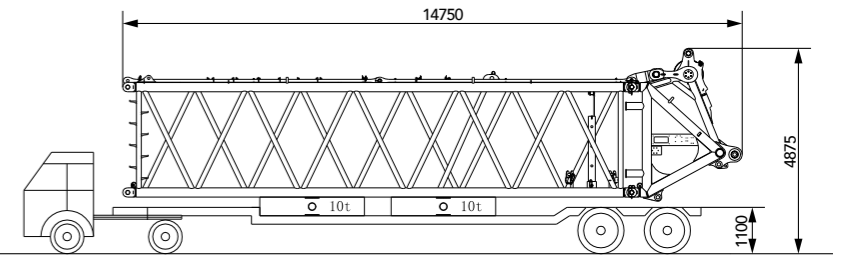
- Components included ▪ 12m boom insert E
- 10t counterweight x3
- Weight ▪ 36.8t
- Number of trailer ▪ 1 trailer



- Components included ▪ Two sets of booms
- 6m jib insert nesting
- 10t counterweight x2
- Weight ▪ 35.6t
- Number of trailer ▪ 1 trailer

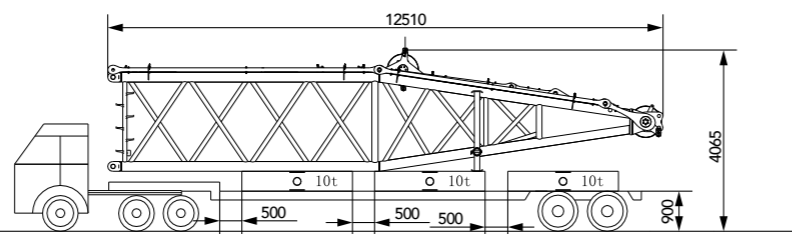


- Components included ▪ Transition section of the boom
- Boom tip
- 10t counterweight x2
- Weight ▪ 34.5t
- Number of trailer ▪ 1 trailer

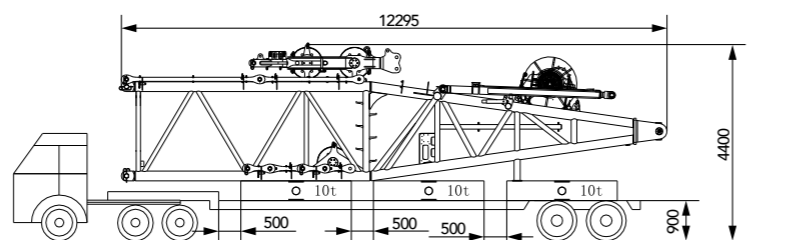


### Transport Plan

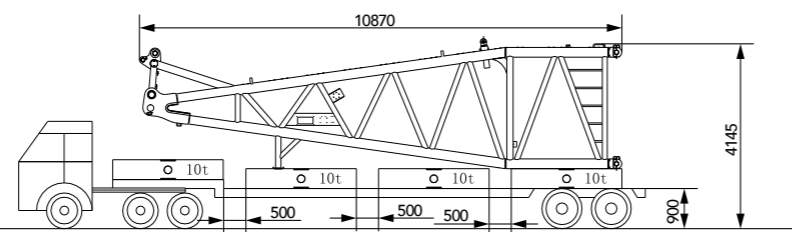
- Components included**
  - Superlift mast top
  - 10t counterweight x3
- Weight**
  - 40.6t
- Number of trailer**
  - 1 trailer



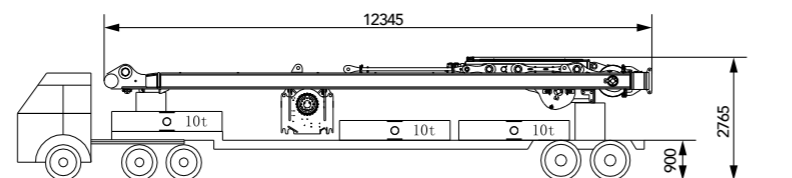
- Components included**
  - Superlift mast base
  - Superlift hoist
  - 10t counterweight x3
- Weight**
  - 50.5t
- Number of trailer**
  - 1 trailer



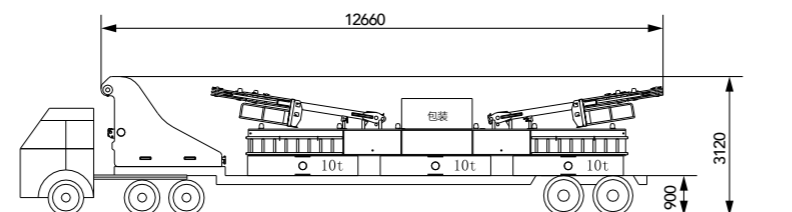
- Components included**
  - Jib base
  - 10t counterweight x4
- Weight**
  - 48t
- Number of trailer**
  - 1 trailer



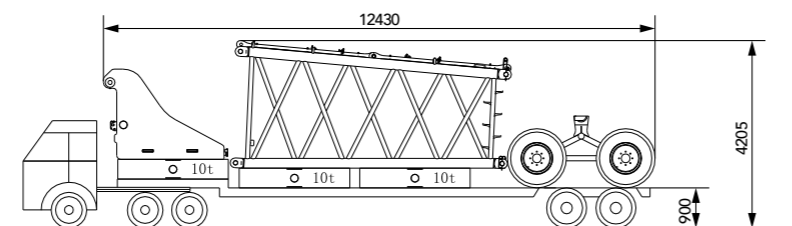
- Components included**
  - Boom luffing mast
  - Boom luffing winch
  - 10t counterweight x3
- Weight**
  - 50.4t
- Number of trailer**
  - 1 trailer



- Components included**
  - Superlift counterweight tray
  - Rear Counterweight Tray
  - 10t counterweight x3
  - Package
- Weight**
  - 46.9t
- Number of trailer**
  - 1 trailer

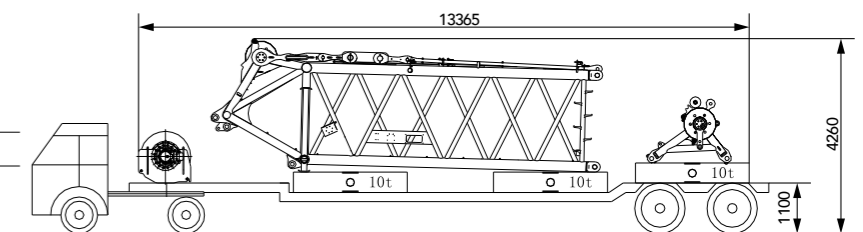


- Components included**
  - 6m jib tapered section
  - Rear Counterweight tray
  - 10t counterweight x3
  - Small trolley
- Weight**
  - 41.3t
- Number of trailer**
  - 1 trailer

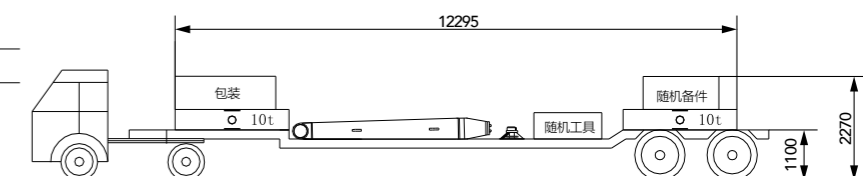


### Transport Plan

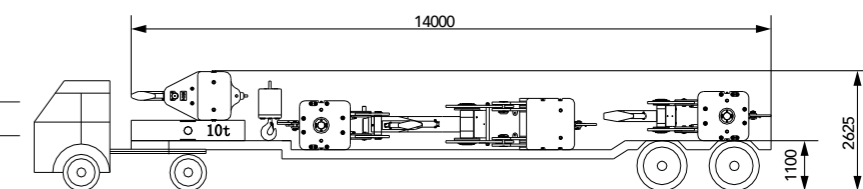
- Components included**
  - Jib top
  - Pulley block x2
  - Main hoist gear x1
  - 10t counterweight x3
- Weight**
  - 48.3t
- Number of trailer**
  - 1 trailer



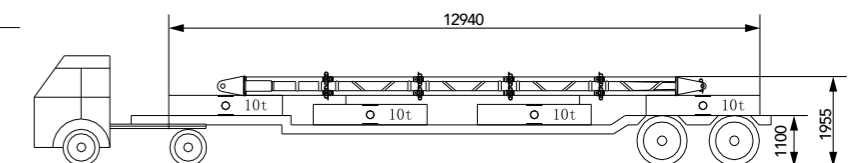
- Components included**
  - Two track outriggers, package
  - Attachment tools and accessories
  - 10t counterweight x2
- Weight**
  - 31.5t
- Number of trailer**
  - 1 trailer



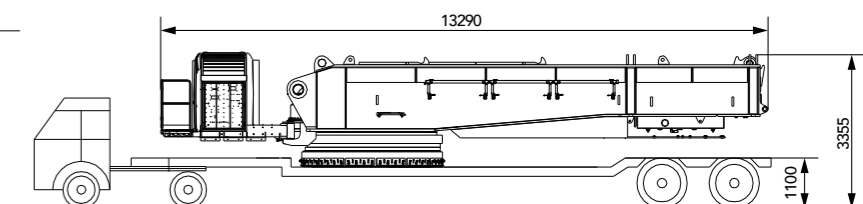
- Components included**
  - 650t lifting hook,
  - 250t lifting hook,
  - 150t lifting hook,
  - 150t lifting hook B,
  - 18t ball hook
  - 10t counterweight x1
- Weight**
  - 39.8t
- Number of trailer**
  - 1 trailer



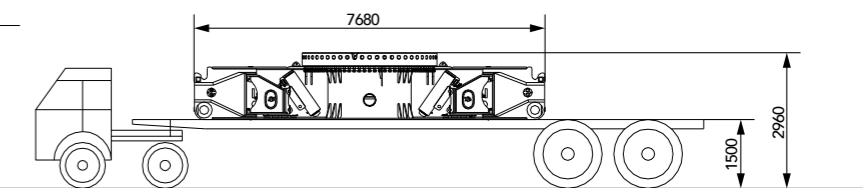
- Components included**
  - Superlift mast strut,
  - 10t counterweight x4
- Weight**
  - 42.7t
- Number of trailer**
  - 1 trailer



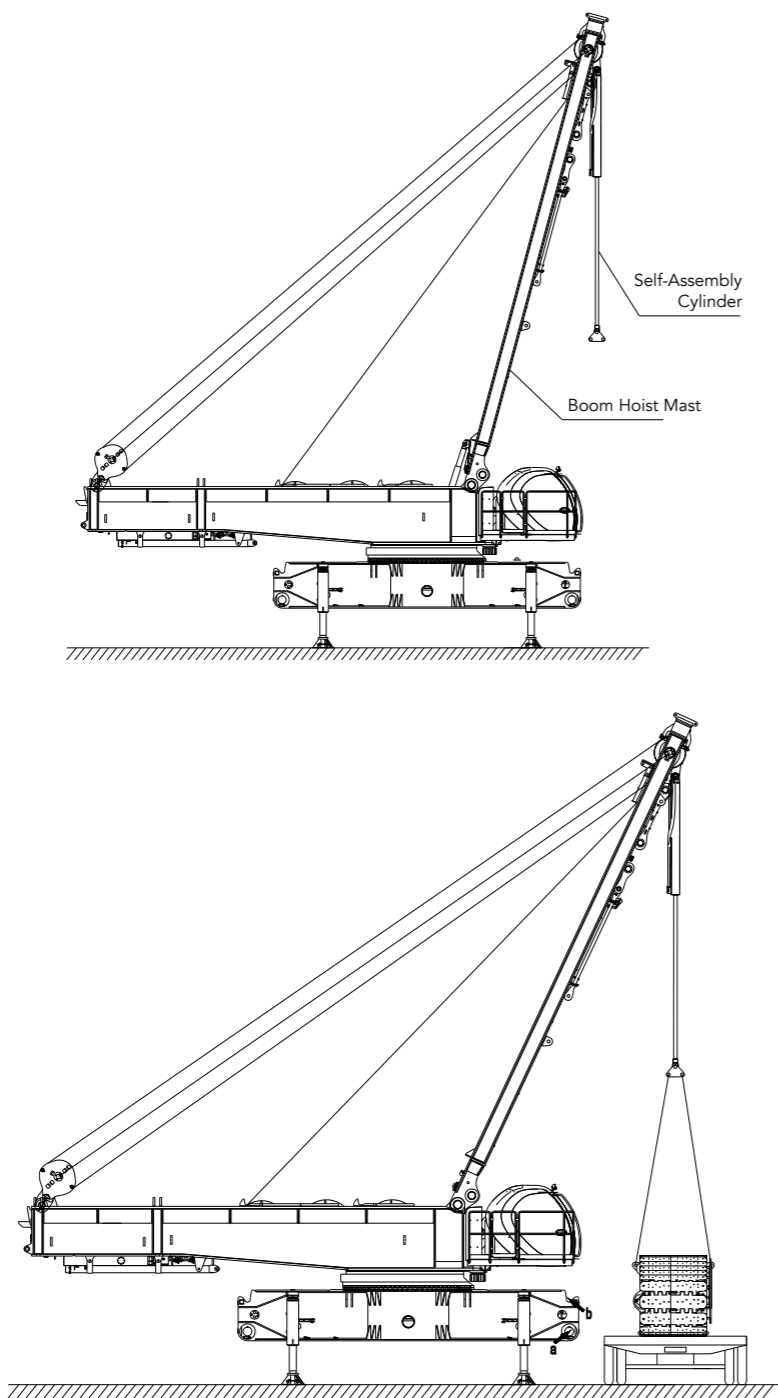
- Components included**
  - Basic machine (Upperworks and lowerworks separated)
- Weight**
  - 44.5t
- Number of trailer**
  - 1 trailer



- Components included**
  - Basic machine (Upperworks and lowerworks separated)
- Weight**
  - 28.5t
- Number of trailer**
  - 1 trailer

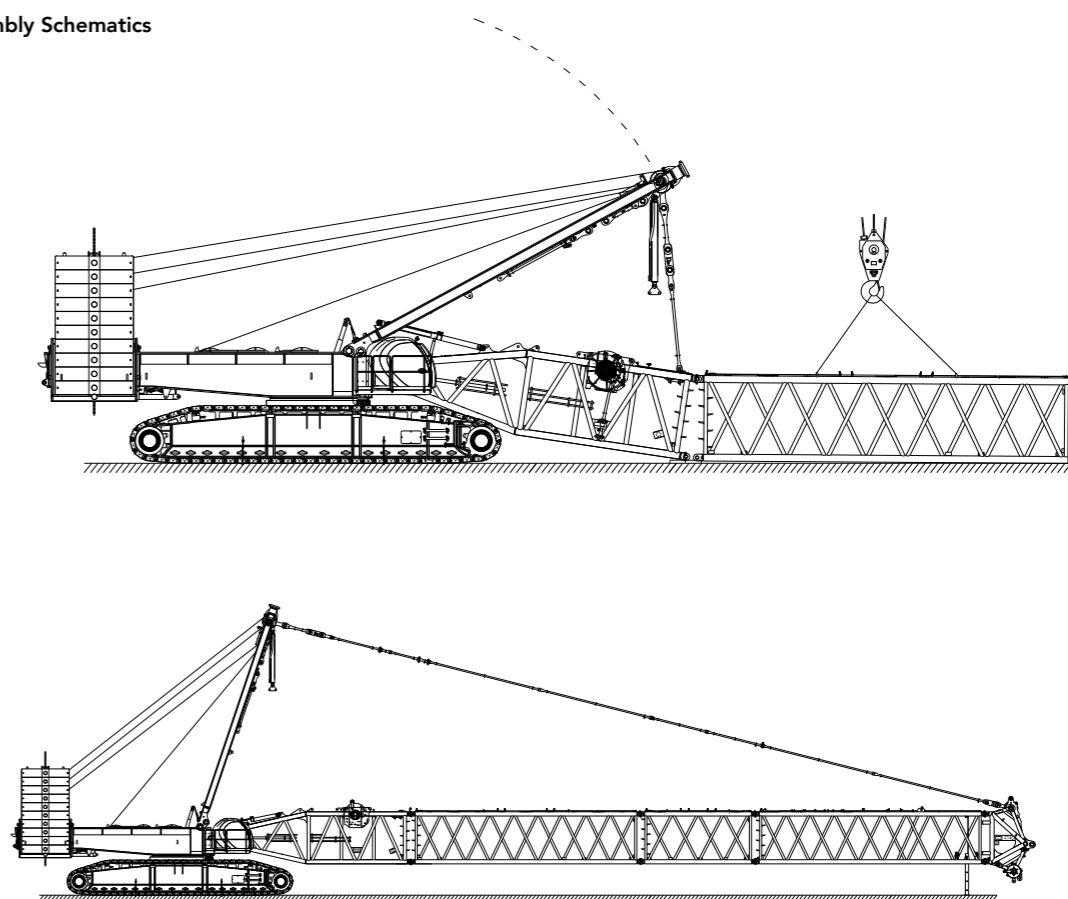


### Self-Assembly and Disassembly plan

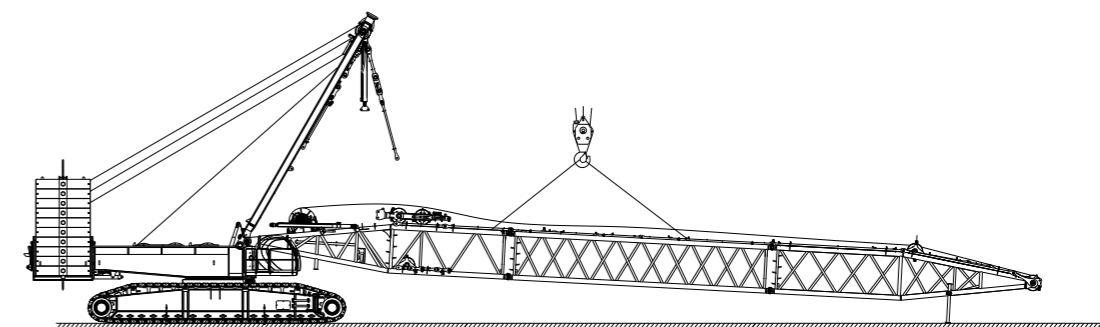


### Assembly Schematics

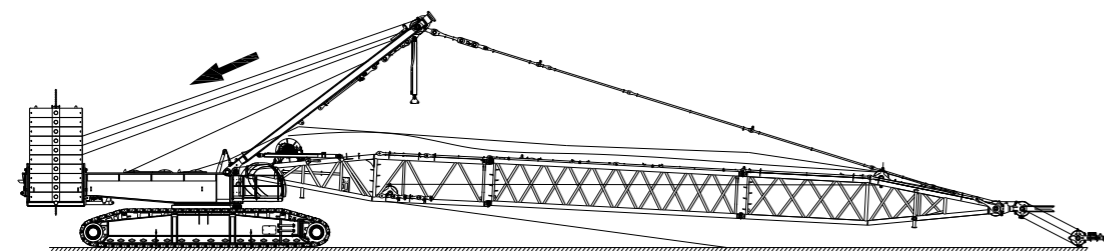
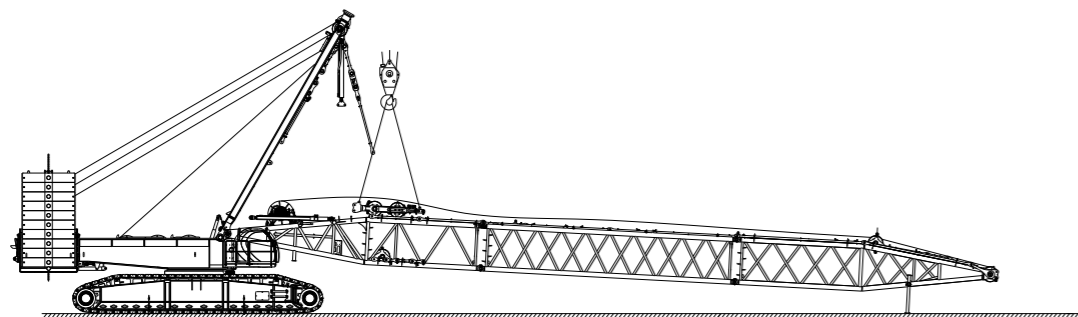
#### 1) Assembly Schematics



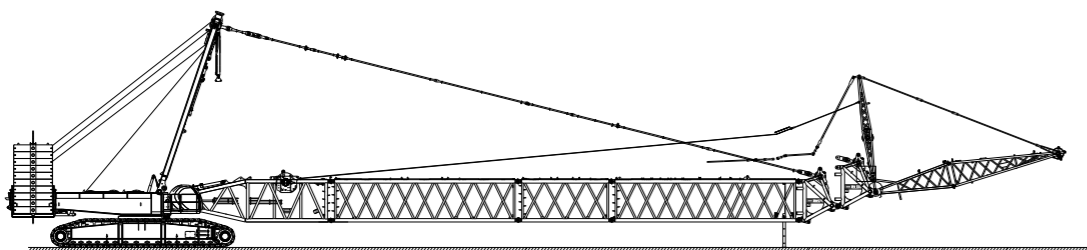
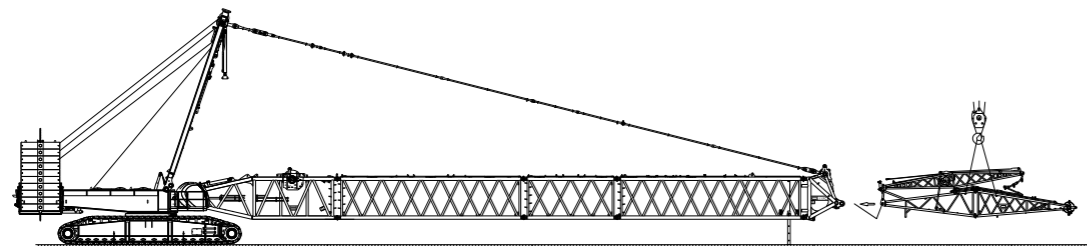
#### 2) Superlift Mast Assembly



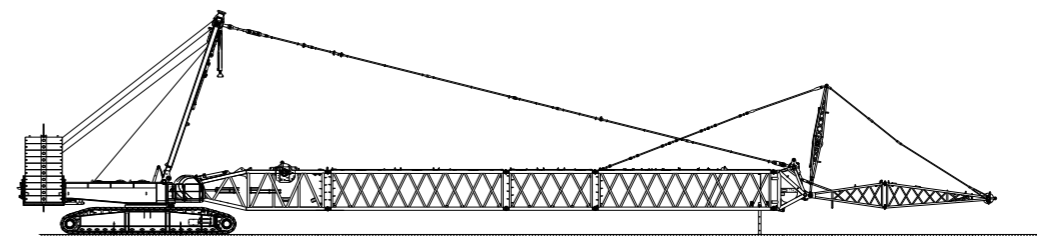
Assembly Schematics



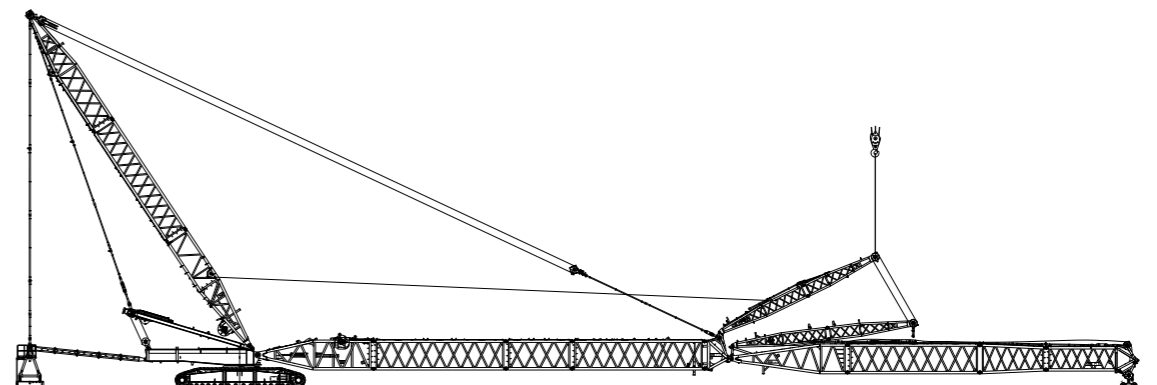
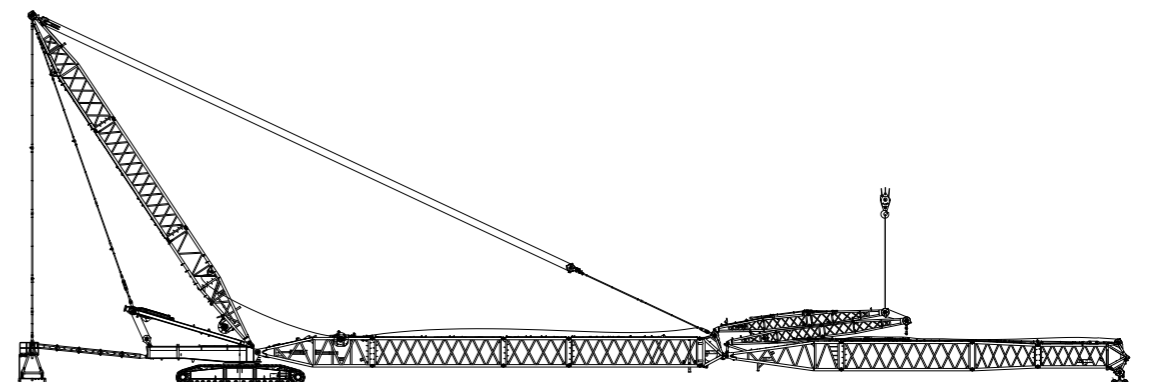
3) Fixed jib assembly schematics

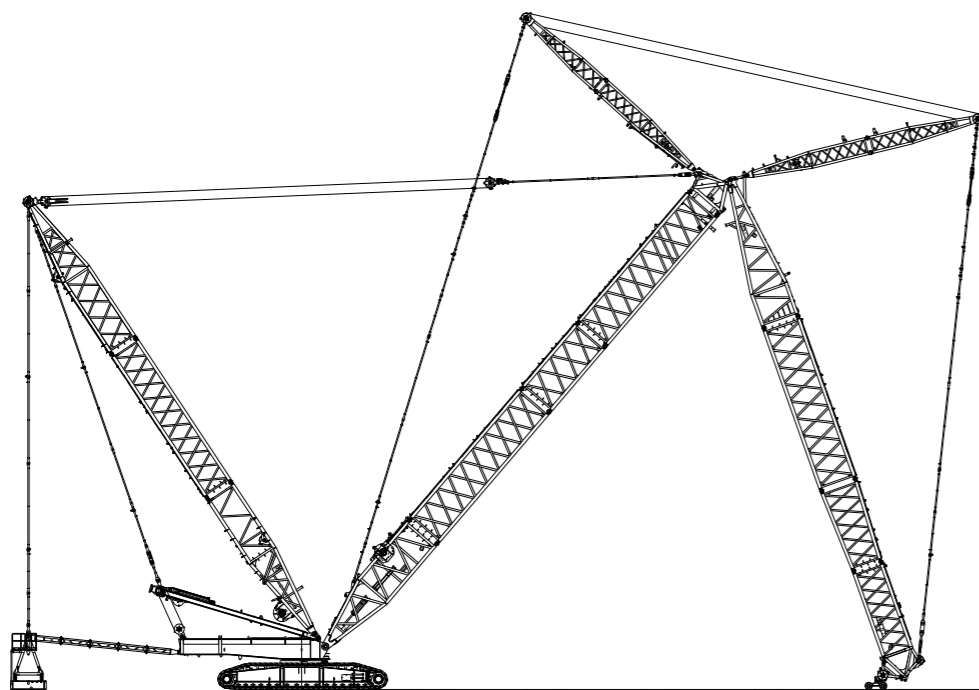
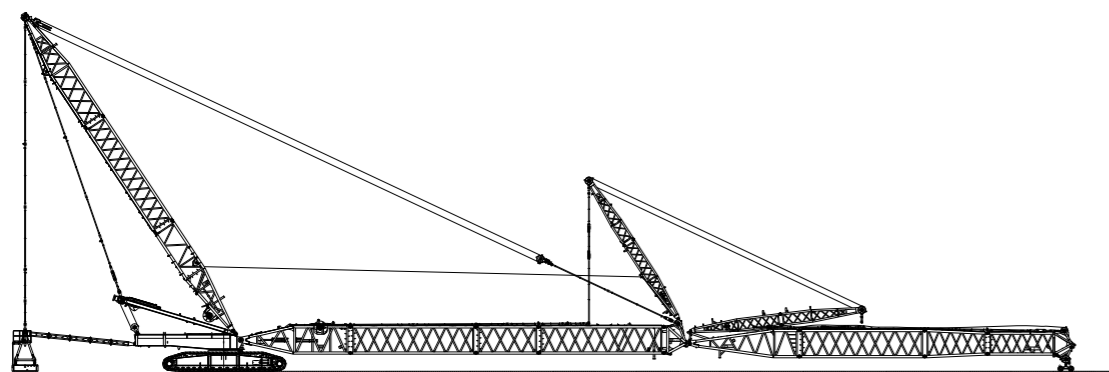


Assembly Schematics



4) Luffing jib assembly schematics



**Assembly Schematics**

## SCC6500A SANY CRAWLER CRANE 650 TONS LIFTING CAPACITY

QUALITY CHANGES THE WORLD

### Configurations

- Page 32 H working condition
- Page 35 HDB working condition
- Page 41 HJ working condition
- Page 44 HJDB working condition
- Page 50 FJ working condition
- Page 55 FJDB working condition
- Page 60 HJFJ\_1 working condition
- Page 65 HJFJ working condition
- Page 70 HJFJDB working condition
- Page 75 HJFJDB\_4 working condition
- Page 80 LJ working condition
- Page 89 LJDB working condition

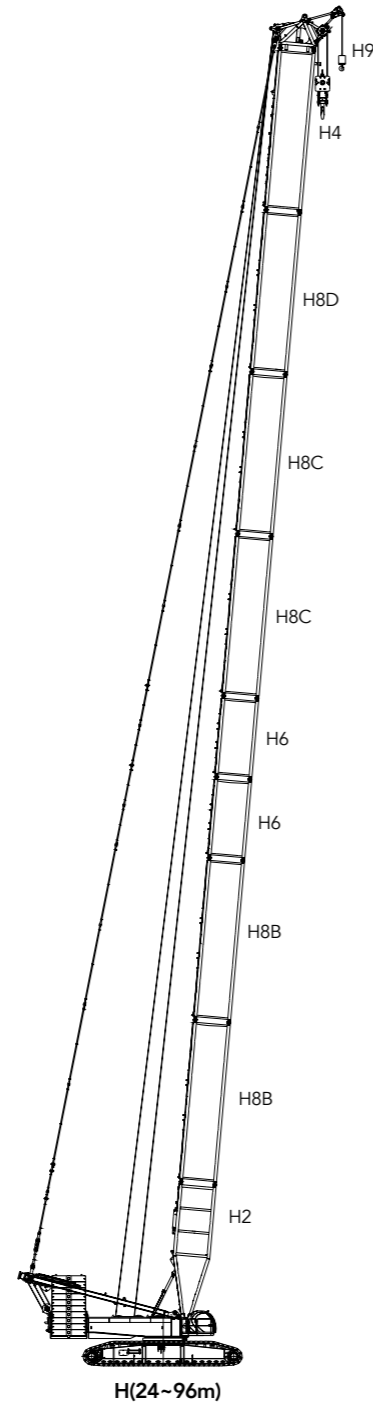
> 31



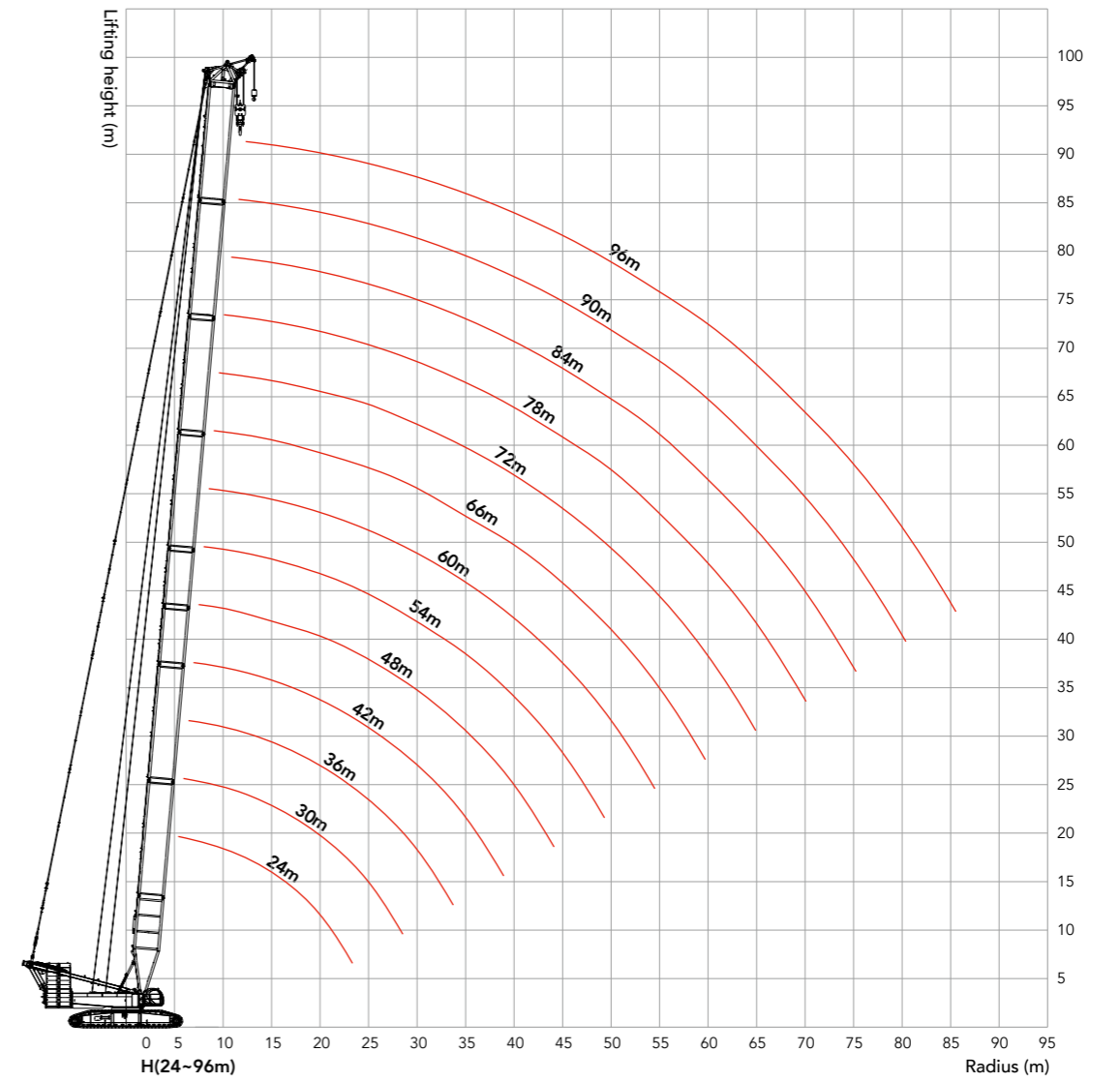
**H Boom Combination**

H Boom Combination				
Boom length (m)	Insert			
	6m	12mB	12mC	12mD
24	—	—	—	—
30	1	—	—	—
36	2	—	—	—
42	1	2	—	—
48	2	2	—	—
54	1	2	—	—
60	2	2	—	—
66	1	2	1	—
72	2	2	1	—
78	1	2	2	—
84	2	2	2	—
90	1	2	2	1
96	2	2	2	1

Note: 24m basic boom consists 10.5m boom base, 12m transitional section, and connecting tip (boom tip).



**H Work Radius**



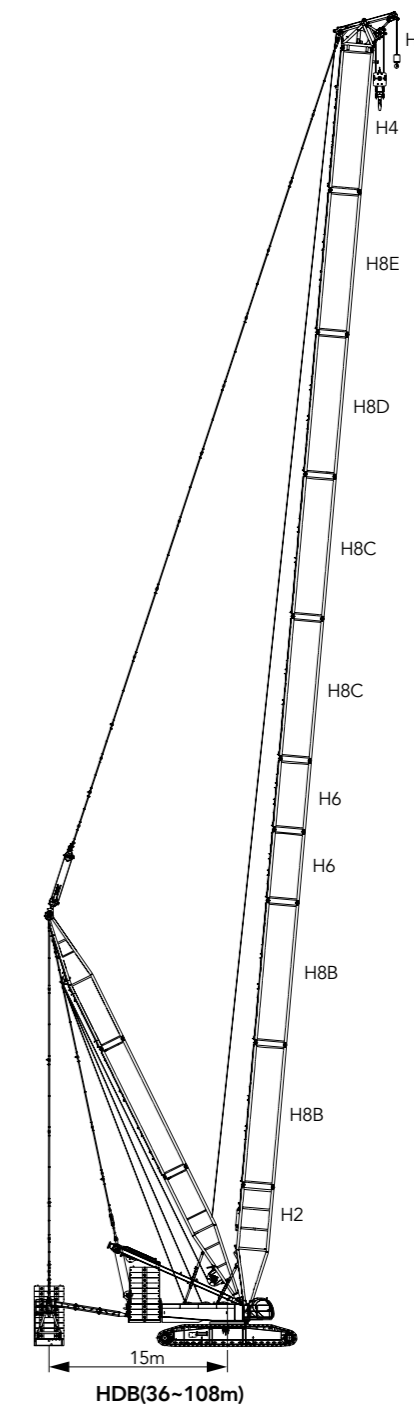
**Load Chart of H Configuration**

SCC6500A Crawler Crane - Load Chart of H Configuration 1/1														
The boom length ranges 24m ~ 96m, the rear counterweight is 210t, the carbody counterweight is 60t														
Radius (m)	24	30	36	42	48	54	60	66	72	78	84	90	96	Radius (m)
5.5	650													5.5
6	622	610												6
7	560	554	548											7
8	484	480	475	468	433									8
9	426	422	418	412	380	370	351							9
10	380	376	370	362	345	333	315	302	287					10
11	340	336	325	317	309	300	286	275	262	250	239			11
12	298	297	288	280	275	267	258	248	239	230	218	208	200	12
14	231	232	231	228	225	219	212	205	198	192	185	175	168	14
16	190	188	187	186	184	181	179	172	168	163	157	151	145	16
18	158	158	157	156	153	150	149	147	145	140	137	132	127	18
20	137	136	134	133	131	129	127	126	125	122	120	116	112	20
22	120	118	117	115	113	112	111	109	108	107	105	102	98	22
24		105	104	102	100	99	97	96	95	94	93	90	86	24
26		94	93	91	89	88	87	85	84	83	82	79	76	26
28		85	84	82	79	78	77	76	75	74	73	70	68	28
30			77	74	71	70	70	68	67	66	65	63	61	30
32			72	68	64	63	62	61	60	59	58	57	55	32
34				62	58	57	56	55	54	53	52	51	49.5	34
36				56	52	52	51	51	50	48.0	47.0	46.0	44.5	36
38				52	48.5	48.0	47.0	46.0	45.0	43.5	42.5	41.5	39.5	38
40					45.0	44.5	42.5	42.5	41.0	39.5	38.5	37.0	35.5	40
44					39.0	38.0	37.0	36.0	34.0	32.5	31.5	30.5	28.6	44
48						33.5	32.0	30.5	28.6	27.2	26.2	25.2	23.7	48
52							27.5	25.9	24.2	23.3	21.5	20.8	19.4	52
56								22.4	20.2	19.4	17.6	17.1	15.5	56
60									16.6	15.7	13.8	13.3	11.7	60
64									13.5	12.5	10.6	10.0	8.4	64
68										9.9	7.8	7.3	6.1	68
72											6.1	5.6		72

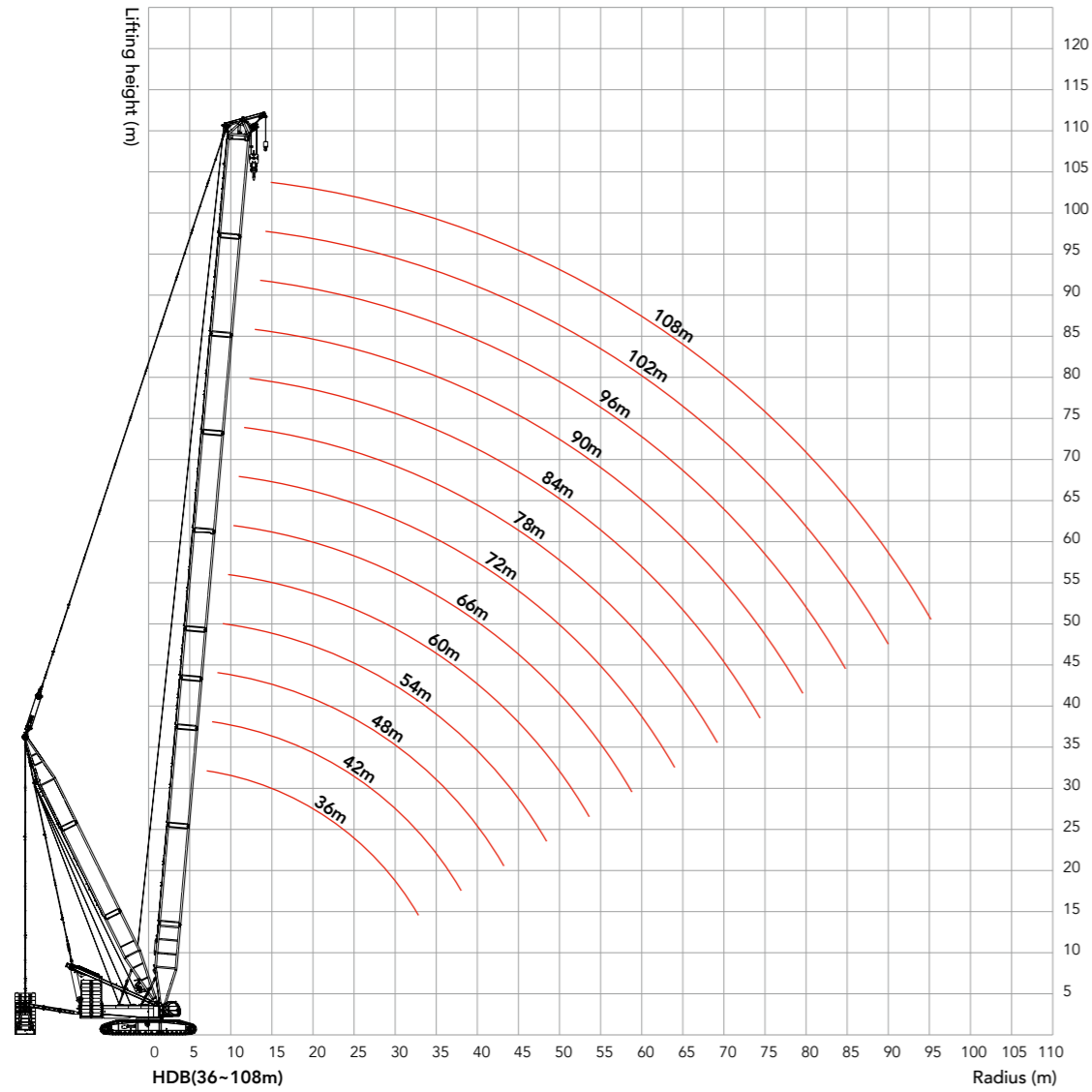
**HDB Boom Combination**

HDB Boom Combination					
Boom length (m)	Insert				
	6m	12mB	12mC	12mD	12mE
36	2	—	—	—	—
42	1	2	—	—	—
48	2	2	—	—	—
54	1	2	—	—	—
60	2	2	—	—	—
66	1	2	1	—	—
72	2	2	1	—	—
78	1	2	2	—	—
84	2	2	2	—	—
90	1	2	2	1	—
96	2	2	2	1	—
102	1	2	2	1	1
108	2	2	2	1	1

Notes: The 10.5m boom base, 12m transition boom and the boom head are must.



### HDB Work Radius



Unit: t

### Load Chart of HDB Configuration

SCC6500A Crawler Crane - Load Chart of HDB Configuration 1/4														
The boom length ranges 36 ~ 108m, the superlift radius is 19m, the superlift counterweight is 310t, the rear counterweight is 210t, the carbody counterweight is 60t														
Radius (m)	36	42	48	54	60	66	72	78	84	90	96	102	108	Radius (m)
7	650*													7
8	650*	650*	650*											8
9	650*	650*	650*	650*	602*									9
10	650*	650*	650*	648*	595*	510*	453*							10
11	650*	649	648	645	589*	503*	453*	388*	338*					11
12	650	648	646	644	584	496*	448*	388*	338*	301*	266*			12
14	595	581	565	563	560	476	435*	387*	338*	301*	266*	226*	201*	14
16	518	528	524	507	481	454	423	380*	335*	301*	266*	227*	201*	16
18	447	478	476	473	453	431	407	371	330*	300*	265*	226*	202*	18
20	413	424	425	423	420	414	403	359	325	298*	264*	226*	201*	20
22	373	376	384	382	379	375	366	356	320	296	262*	227*	201*	22
24	351	353	350	348	345	341	334	326	316	294	259	225*	201*	24
26	313	323	321	319	317	315	307	300	292	284	257	226	201*	26
28	279	299	296	294	292	291	289	278	270	264	254	225	201	28
30	265	277	275	273	271	269	267	265	252	246	239	225	201	30
32	236	257	256	254	252	251	249	246	245	230	224	218	200	32
34		241	239	238	236	234	232	230	229	216	210	205	199	34
36		224	224	223	221	220	218	215	214	213	198	193	188	36
38		213	211	210	208	207	205	202	201	200	198	183	177	38
40			199	198	196	195	193	190	190	189	187	173	168	40
44			179	177	175	174	173	170	169	169	167	166	152	44
48				160	158	157	156	153	152	152	150	149	147	48
52					144	143	141	139	138	137	136	135	133	52
56						130	129	126	126	125	123	122	121	56
60							118	115	115	114	113	112	110	60
64							109	106	106	105	103	102	101	64
68								97.6	97.4	96.7	95	94.1	92.4	68
72									90.1	89.4	87.6	86.8	85.1	72

### Load Chart of HDB Configuration

SCC6500A Crawler Crane - Load Chart of HDB Configuration 2/4														
The boom length ranges 36 ~ 108m, the superlift radius is 17m, the superlift counterweight is 310t, the rear counterweight is 210t, the carbody counterweight is 60t														
Radius (m)	36	42	48	54	60	66	72	78	84	90	96	102	108	Radius (m)
7	650*													7
8	650*	650*	650*											8
9	650*	650*	650*	650*	602*									9
10	650	650	650	648	595*	510*	453*							10
11	650	649	648	645	584	503*	453*	388*	338*					11
12	650	648	646	644	584	496*	448*	388*	338*	301*	267*			12
14	586	586	565	563	560	476	435	387*	338*	301*	267*	228*	202*	14
16	512	509	505	502	481	454	423	380	335*	301*	266*	227*	203*	16
18	452	449	446	444	441	430	407	360	330	300*	265*	228*	203*	18
20	397	402	399	397	394	392	373	360	325	298	264*	229*	202*	20
22	365	363	360	358	356	354	351	346	316	296	262	227*	203*	22
24	333	331	328	326	324	322	320	317	306	280	259	228	202*	24
26	305	303	301	299	297	295	293	290	283	274	250	228	202	26
28	281	280	277	275	273	272	270	267	263	255	233	225	201	28
30	261	259	257	255	253	252	250	247	246	239	230	211	201	30
32	234	242	239	238	236	234	232	230	229	224	216	210	191	32
34		226	224	222	220	219	217	214	214	211	204	198	191	34
36		212	210	208	206	205	203	201	200	199	193	187	180	36
38		199	197	196	194	193	191	188	188	187	182	177	171	38
40			186	185	183	182	180	177	177	176	173	168	162	40
44			167	165	163	162	161	158	158	157	155	153	147	44
48				149	147	146	145	142	142	141	139	138	134	48
52					134	133	131	129	128	127	125	125	123	52
56						121	119	117	116	116	114	113	111	56
60							109	107	106	106	104	103	101	60
64								100	97.8	97.6	96.8	95.1	94.2	64
68									89.9	89.7	89	87.3	86.4	68
72										82.8	82.1	80.4	79.5	72

### Load Chart of HDB Configuration

SCC6500A Crawler Crane - Load Chart of HDB Configuration 3/4														
The boom length ranges 36 ~ 108m, the superlift radius is 15m, the superlift counterweight is 310t, the rear counterweight is 210t, the carbody counterweight is 60t														
Radius (m)	36	42	48	54	60	66	72	78	84	90	96	102	108	Radius (m)
7	650*													7
8	650*	650*	650*											8
9	650	650	650	650	602*									9
10	650	650	650	648	595	510*	453*							10
11	650	649	648	645	584	503	453*	388*	338*					11
12	649	644	630	635	584	496	448	388*	338*	301*	267*			12
14	551	548	544	541	537	476	435	387	338*	301*	267*	228*	204*	14
16	479	476	472	470	466	453	423	380	335	301*	266*	229*	204*	16
18	423	420	417	414	412	409	399	360	330	300	265	230*	204*	18
20	378	375	373	370	368	366	361	345	329	298	264	229*	203*	20
22	341	339	336	334	332	330	328	316	302	296	262	230	203*	22
24	310	308	306	304	302	300	298	291	278	267	256	230	202	24
26	285	283	280	279	276	275	273	270	258	248	238	228	202	26
28	262	261	259	257	255	253	251	249	241	232	222	214	201	28
30	243	242	240	238	236	234	232	230	229	217	208	201	192	30
32	227	225	223	221	219	218	216	214	213	211	196	189	181	32
34		210	208	207	205	203	202	199	198	197	195	178	171	34
36		197	195	194	192	191	189	186	185	184	182	169	162	36
38		185	183	182	180	179	177	175	174	173	171	170	154	38
40			173	171	170	169	167	164	164	163	161	160	156	40
44			155	153	151	151	149	146	146	145	143	142	140	44
48				138	136	135	134	131	131	130	128	127	125	48
52					124	123	121	118	118	117	115	114	113	52
56						112	110	107	107	106	105	104	102	56
60							100	97.9	97.7	96.9	95.2	94.3	92.5	60
64								92.1	89.5	89.4	88.6	86.9	86	64
68									82.1	82	81.3	79.6	78.8	68
72										75.5	74.8	73.1	72.3	72

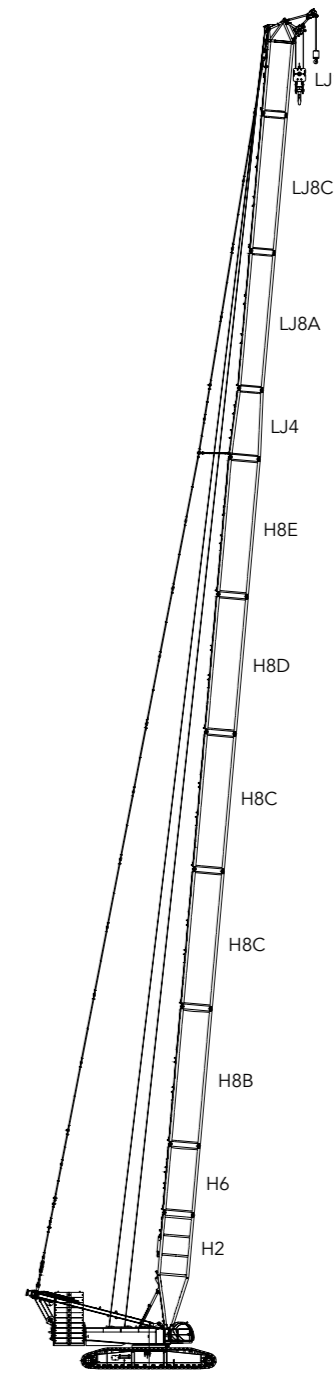
**Load Chart of HDB Configuration**

SCC6500A Crawler Crane - Load Chart of HDB Configuration 4/4														
The boom length ranges 36 ~ 108m, the superlift radius is 13m, the superlift counterweight is 310t, the rear counterweight is 210t, the carbody counterweight is 60t														
Radius (m)	36	42	48	54	60	66	72	78	84	90	96	102	108	Radius (m)
7	650*													7
8	650	650	650											8
9	650	650	650	650	602									9
10	650	650	650	648	595	510	453*							10
11	650	649	648	645	584	503	453	388*	338*					11
12	604	600	595	586	565	496	448	387	338*	301*	267*			12
14	513	510	506	503	499	473	432	380	338	301*	267*	230*	204*	14
16	446	443	439	437	434	431	403	360	335	301	266	231*	204*	16
18	393	391	388	385	382	380	377	328	330	300	265	232	204*	18
20	351	349	346	344	341	340	337	301	310	295	264	232	203	20
22	317	315	312	310	308	306	304	278	285	272	259	231	203	22
24	288	286	284	282	280	278	276	254	264	252	240	229	202	24
26	264	262	260	258	256	255	253	234	246	235	224	214	200	26
28	244	242	240	238	236	235	232	216	229	220	210	201	191	28
30	226	224	222	220	218	217	215	201	211	207	197	189	180	30
32	210	208	206	205	203	202	200	187	196	195	186	178	170	32
34		195	193	191	189	188	186	175	183	182	177	169	161	34
36		182	181	179	177	176	174	164	171	170	168	161	153	36
38		171	170	168	166	165	163	154	160	159	157	153	146	38
40			160	158	156	155	154	137	150	150	148	146	139	40
44			143	141	140	139	137	123	134	133	131	130	128	44
48				127	125	124	123	111	120	119	117	116	114	48
52					113	113	111	101	108	107	105	104	103	52
56						102	101	91.9	97.8	97	95.2	94.3	92.5	56
60							91.7	84	88.9	88.2	86.4	85.6	83.8	60
64							83.9	77	81.2	80.5	78.7	77.9	76.1	64
68									74.3	73.6	71.9	71.1	69.3	68
72									68.2	67.5	65.8	65	63.3	72

**HJ Boom Combination**

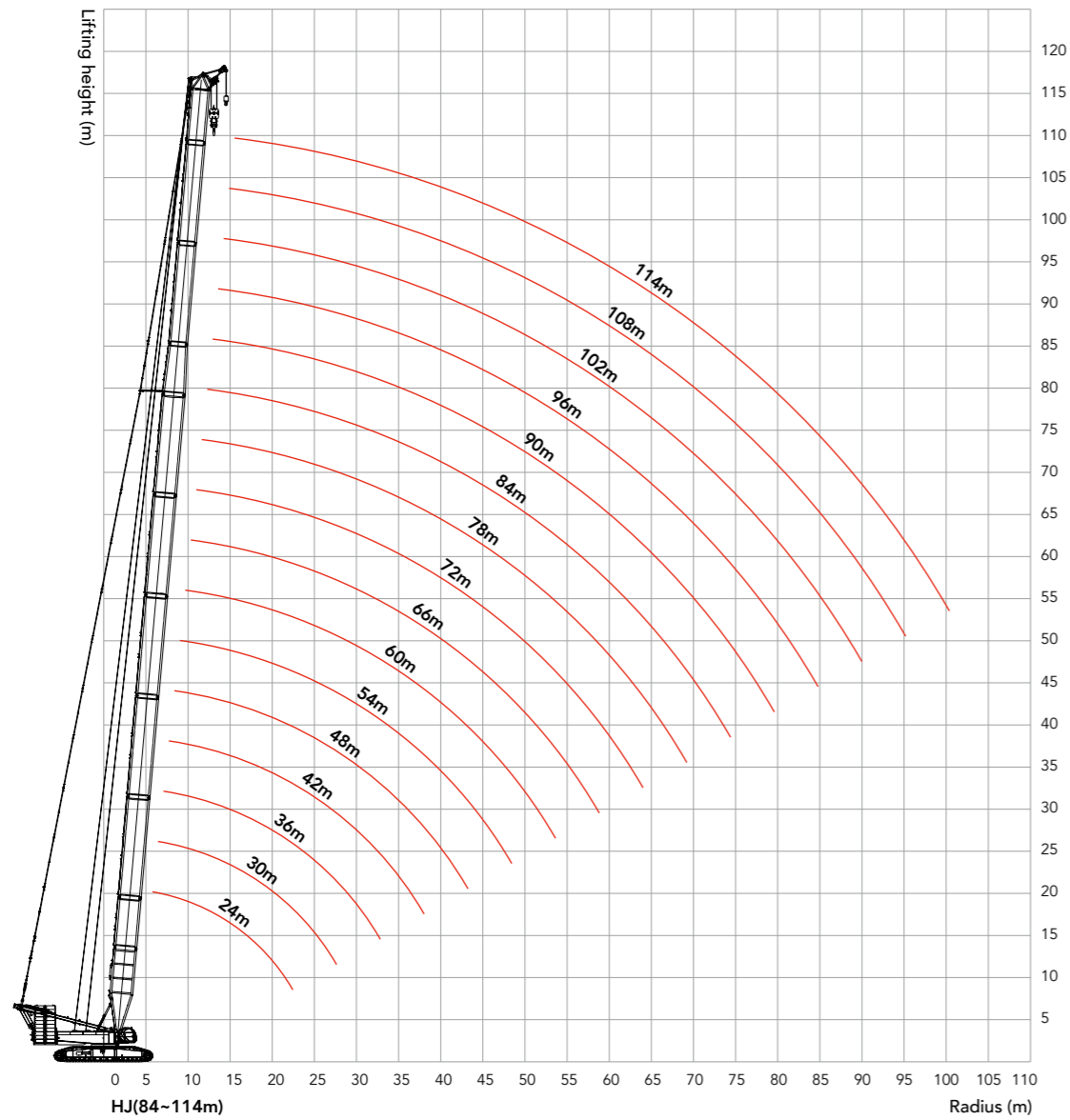
HJ Boom Combination				
Boom length (m)	Boom insert		Jib insert	
	6m	12m	6m	12m
84	1	4	—	1
90*	1	4	1	1
96*	—	4	1	2
102*	1	4	1	2
108*	—	5	1	2
114*	1	5	1	2

Notes: The 10.5m boom base, 6m tapered section and 7.5m jib top are must. Mid-suspension cable must be adopted for the working condition marked with \*, otherwise, there is danger of boom breaking.



HJ(84~114m)

**HJ Work Radius**



**Load Chart of HJ Configuration**

Unit: t

SCC6500A Crawler Crane - Load Chart of HJ Configuration 1/1							
The boom length ranges 84m ~ 114m, the rear counterweight is 210t, the carbody counterweight is 60t							
Radius (m)	84	90	96	102	108	114	Radius (m)
11	232	221					11
12	215	205	191	175			12
14	187	179	173	166	145	133	14
16	165	159	154	148	139	128	16
18	147	142	138	132	128	122	18
20	132	127	124	119	115	110	20
22	120	115	113	108	104	100	22
24	109	105	103	98.7	95.3	91.3	24
26	100	96.3	94.1	90.4	87.2	83.6	26
28	92.2	88.6	86.6	83.1	80.2	76.7	28
30	85.1	81.7	79.9	76.6	73.9	70.6	30
32	78.9	75.6	74	70.9	68.3	65.1	32
34	73.3	70.2	68.7	65.7	63.3	60.2	34
36	68.3	65.3	63.9	61.1	58.7	55.8	36
38	63.7	60.9	59.6	56.8	54.6	51.8	38
40	59.6	56.8	55.7	53	50.8	48.1	40
44	52.4	49.8	48.8	46.2	44.2	41.6	44
48	45.9	43.8	42.9	40.5	38.5	36	48
52	40.1	38.6	37.9	35.5	33.7	29.5	52
56	35.2	33.7	33.5	31.2	29.5	24.3	56
60	31	29.5	29.4	27.4	24.5	19.3	60
64	27.3	25.8	25.8	24.1	20.1	15.1	64
68	24.1	22.6	22.6	19.9	15.9	11.5	68
72	21.2	19.7	19.7	16.1	12.1	7.9	72
76		17.2	17.2	12.8	9		76
80		14.9	14.2	9.5	6.3		80
84			11.2	7			84

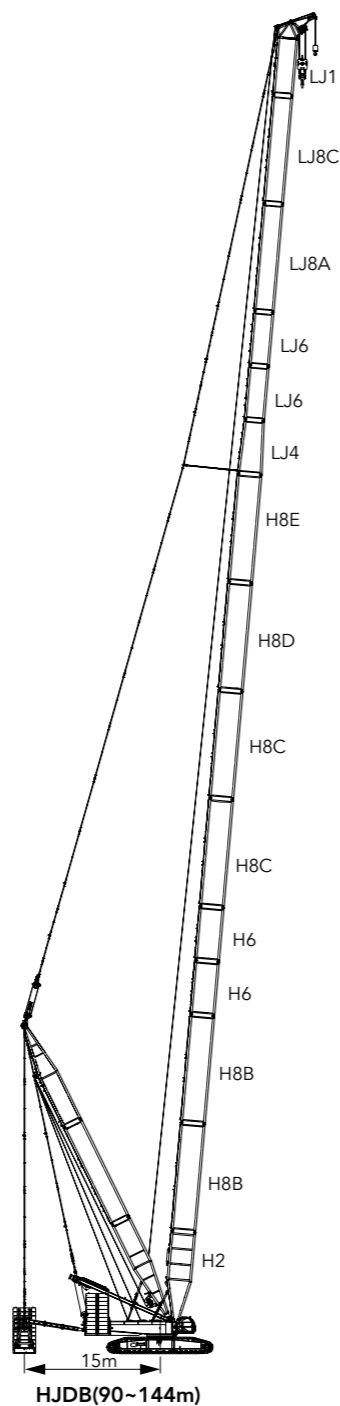
Notes:

1. The rated capacity listed in the table includes the weight of hook, wire rope and other riggings, therefore, the actual rated capacity shall deduct the weight of these components.
2. The rated load of the main hook when there's extension jib is the value in the load table deducting 1t as the weight of extension jib.
3. Data marked with \* in the table means that the superlift counterweight cannot lift above the ground under this condition.

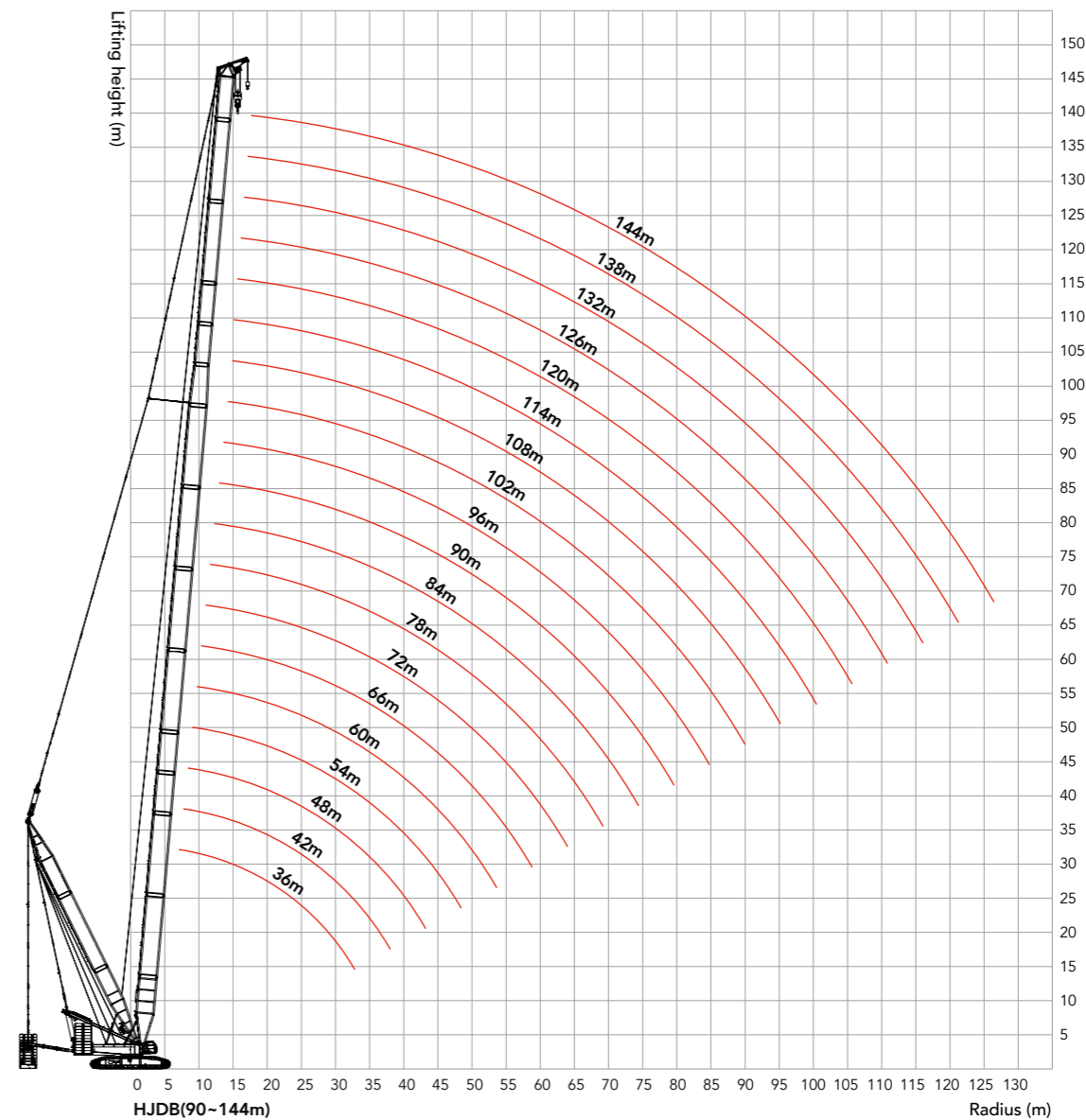
### HJDB Boom Combination

HJDB Boom Combination				
Boom length (m)	Boom insert		Jib insert	
	6m	12m	6m	12m
90*	1	3	—	2
96*	2	3	—	2
102*	1	4	—	2
108*	2	4	—	2
114*	1	5	—	2
120*	2	5	—	2
126*	1	6	—	2
132*	2	6	—	2
138*	2	6	1	2
144*	2	6	2	2

Notes: The 10.5m boom base, 6m tapered section and 7.5m jib top are must, The mid-point suspension cable must be used for configurations marked with \* ; otherwise, there is danger of boom breaking.



### HJDB Work Radius



### Load Chart of HJDB Configuration

SCC6500A Crawler Crane - Load Chart of HJDB Configuration 1/4											
The boom length ranges 90 ~ 144m, the superlift radius is 19m, the superlift counterweight is 310t, the rear counterweight is 210t, the center counterweight is 60t											
Radius (m)	90	96	102	108	114	120	126	132	138	144	Radius (m)
14	265*	235*	218*								14
16	258*	234*	216*	194*	171*	145*					16
18	252*	233*	214*	190*	169*	144*	144*	131*	101*		18
20	247*	230*	212*	187*	166*	142*	142*	130*	99.5*	86.5*	20
22	242*	227*	210*	183*	164*	141*	141*	129*	98.6*	86.0*	22
24	236*	224*	208*	179*	162*	140*	140*	128*	96.8*	85.5*	24
26	230*	221*	206*	175*	160*	138*	138*	127*	95.7*	84.5*	26
28	224	217	203*	172*	157*	136*	136*	126*	94.4*	84.0*	28
30	218	213	200	168*	155*	134*	134*	125*	93.1*	83.0*	30
32	212	208	196	164*	153*	132*	132*	124*	91.8*	82.5*	32
34	205	201	191	160*	150*	130*	130*	123*	90.8*	82.0*	34
36	198	194	185	157*	147*	128*	128*	122*	89.3*	81.0*	36
38	190	187	178	154	144*	126*	126*	121*	87.5*	80.5*	38
40	179	177	171	151	141	124*	124*	119*	86.2*	80.0*	40
44	161	159	158	144	135	120*	120	117*	83.1*	76.3*	44
48	146	144	143	137	129	116	116	111	80.4*	67.6*	48
52	133	131	130	129	123	112	111	101	77.5*	59.6*	52
56	122	120	119	119	116	108	101	91.1	70.0*	52.0*	56
60	113	111	110	109	107	103	92.5	82.6	61.8*	45.0*	60
64	104	103	102	101	99.1	93.5	84.1	74.4	54.8*	38.8*	64
68	96.8	95.1	94.2	93.4	91.8	84.7	76	67.4	48.2*	32.8*	68
72	90.1	88.6	87.6	86.8	84.4	77.4	68	60.1*	42.1*	27.2*	72
76	84.2	82.6	81.7	80.9	76.9	70.2	61.8	53.0*	36.4*	22.0*	76
80	78.9	77.3	76.3	75.6	69.6	63.1	54.8	47.2*	31.0*	17.1*	80
84			71.5	69.2	61.8	56	48.2*	41.8*	25.2*	12.6*	84
88			66	62.4	54.5	50.2	42.5*	35.7*	20.5*	8.3*	88
92				54.4	48.7	44.0*	37.0*	30.8*	16.0*		92
96					42.2*	38.2*	31.8*	26.2*	11.8*		96
100						32.6*	26.9*	21.0*	7.8*		100
104							27.3*	22.2*	17.0*		104
108									12.3*		108
112											112

Notes:

- The rated capacity listed in the table includes the weight of hook, wire rope and other riggings, therefore, the actual rated capacity shall deduct the weight of these components.
- The rated load of the main hook when there's extension jib is the value in the load table deducting 1t as the weight of extension jib.
- Data marked with \* in the table means that the superlift counterweight cannot lift above the ground under this condition.

### Load Chart of HJDB Configuration

SCC6500A Crawler Crane - Load Chart of HJDB Configuration 2/4											
The boom length ranges 90 ~ 144m, the superlift radius is 17m, the superlift counterweight is 310t, the rear counterweight is 210t, the center counterweight is 60t											
Radius (m)	90	96	102	108	114	120	126	132	138	144	Radius (m)
14	265*	235*	218*								14
16	258*	234*	216*	194*	171*	145*					16
18	252*	233*	214*	190*	169*	144*	131*	112*	101*		18
20	247*	230*	212*	187*	166*	142*	130*	111*	99.5*	86.5*	20
22	242*	227*	210*	183*	164*	141*	129*	110*	98.6*	86.0*	22
24	236	224*	208*	179*	162*	140*	128*	110*	96.8*	85.5*	24
26	230	221	206	175*	160*	138*	127*	109*	95.7*	84.5*	26
28	224	217	203	172*	157*	136*	126*	108*	94.4*	84.0*	28
30	218	213	200	168*	155*	134*	125*	107*	93.1*	83.0*	30
32	212	208	196	164	153*	132*	124*	106*	91.8*	82.5*	32
34	201	199	191	160	150	130*	123*	105*	90.8*	82.0*	34
36	188	187	185	157	147	128*	122*	104*	89.3*	81.0*	36
38	177	176	174	154	144	126*	121*	103*	87.5*	80.5*	38
40	168	166	165	151	141	124	120	102*	86.2*	80.0*	40
44	150	149	148	144	135	120	117	100.0*	83.1*	73.7*	44
48	136	135	133	133	129	116	113	98	80.4*	65.1*	48
52	124	122	121	121	119	112	108	95.1	75.7*	57.2*	52
56	114	112	111	110	109	108	99.2	89.2	67.9*	49.9*	56
60	105	103	102	101	99.6	98.7	90.5	80.6	59.6*	43.4*	60
64	96.8	95.2	94.2	93.4	91.8	90.9	82	72.5	52.8*	37.2*	64
68	89.8	88.2	87.2	86.4	84.9	83.8	74.7	65.9	46.5*	31.4*	68
72	83.6	82	81	80.3	78.7	76.2	67.5	58.5	40.6*	26.0*	72
76	78	76.4	75.5	74.7	73.1	68.9	60.3	52.6	35.1*	20.9*	76
80	73	71.4	70.4	69.7	68.1	63.1	54.1	47	29.8*	16.2*	80
84		66.8	65.9	65.1	62.3	56.2	48.2	41.1	25.0*	11.8*	84
88			61.7	61	55.6	50.4	42.5	35.6*	20.4*	7.6*	88
92				56.2	49.4	44.4	37.2	30.8*	16.0*		92
96					42.9	38.6	32.1*	26.3*	11.8*		96
100					37.1	33.6	27.2*	22.0*	7.9*		100
104						28.9*	22.6*	17.1*	4.2*		104
108							18.1*	13.3*			108
112								8.8*			112

Notes:

- The rated capacity listed in the table includes the weight of hook, wire rope and other riggings, therefore, the actual rated capacity shall deduct the weight of these components.
- The rated load of the main hook when there's extension jib is the value in the load table deducting 1t as the weight of extension jib.
- Data marked with \* in the table means that the superlift counterweight cannot lift above the ground under this condition.



**Load Chart of HJDB Configuration**

SCC6500A Crawler Crane - Load Chart of HJDB Configuration 3/4											
The boom length ranges 90 ~ 144m, the superlift radius is 15m, the superlift counterweight is 310t, the rear counterweight is 210t, the center counterweight is 60t											
Radius (m)	90	96	102	108	114	120	126	132	138	144	Radius (m)
14	265*	235*	218*								14
16	258*	234*	216*	194*	171*	145*					16
18	252*	233*	214*	190*	169*	144*	131*	112*	101*		18
20	247	230*	212*	187*	166*	142*	130*	111*	99.5*	86.5*	20
22	242	227	210*	183*	164*	141*	129*	110*	98.6*	86.0*	22
24	236	224	208	179*	162*	140*	128*	110*	96.8*	85.5*	24
26	230	221	206	175*	160*	138*	127*	109*	95.7*	84.5*	26
28	224	217	203	172	157*	136*	126*	108*	94.4*	84.0*	28
30	214	212	200	168	155	134*	125*	107*	93.1*	83.0*	30
32	200	198	196	164	153	132*	124*	106*	91.8*	82.5*	32
34	187	185	184	160	150	130	123*	105*	90.8*	82.0*	34
36	175	173	172	157	147	128	122	104*	89.3*	81.0*	36
38	165	163	162	154	144	126	121	103*	87.5*	80.5*	38
40	156	154	153	151	141	124	120	102	86.2*	79.5*	40
44	140	138	137	136	134	120	117	100	83.1*	70.3*	44
48	126	125	124	123	121	116	113	98	80.4	62.0*	48
52	115	113	112	111	110	109	106	94.8	72.6	54.5*	52
56	105	104	103	102	100	99.3	96.4	86.1	65.1	47.4*	56
60	96.9	95.2	94.2	93.4	91.8	90.9	88.4	78.2	58.1	41.4*	60
64	89.4	87.8	86.8	86	84.4	83.6	80.2	70.7	51.2	35.4*	64
68	82.9	81.3	80.3	79.5	77.9	77.1	72.9	63.7	45.6	29.9*	68
72	77	75.5	74.5	73.7	72.1	71.3	66.1	57.6	39.8*	24.7*	72
76	71.8	70.2	69.3	68.5	66.9	66.1	59.8	51.4	34.5*	19.8*	76
80	67	65.5	64.6	63.8	62.3	61.4	53.7	45.4	29.4*	15.9*	80
84		61.2	60.3	59.5	58	56.1	47.9	40.3	24.7*	11.6*	84
88			56.4	55.7	54.1	50.5	42.4	35.4	20.2*	7.5*	88
92				52.1	49.8	44.6	37.2	30.7	15.9*	3.6*	92
96					44.1	39.5	32.7	26.3	11.7*		96
100					38.3	34.5	28.3	22	7.9*		100
104						29.3	23.7	17.2*			104
108							19.3	13.4*			108
112								9.7*			112

Notes:

1. The rated capacity listed in the table includes the weight of hook, wire rope and other riggings, therefore, the actual rated capacity shall deduct the weight of these components.
2. The rated load of the main hook when there's extension jib is the value in the load table deducting 1t as the weight of extension jib.
3. Data marked with \* in the table means that the superlift counterweight cannot lift above the ground under this condition.

**Load Chart of HJDB Configuration**

SCC6500A Crawler Crane - Load Chart of HJDB Configuration 4/4											
The boom length ranges 90 ~ 144m, the superlift radius is 13m, the superlift counterweight is 310t, the rear counterweight is 210t, the center counterweight is 60t											
Radius (m)	90	96	102	108	114	120	126	132	138	144	Radius (m)
14	265*	235*	218*								14
16	258*	234*	216*	194*	171*	145*					16
18	252	233*	214*	190*	169*	144*	131*	112*	101*		18
20	247	230	212	187*	166*	142*	130*	111*	99.5*	86.5*	20
22	242	227	210	183*	164*	141*	129*	110*	98.6*	86.0*	22
24	236	224	208	179	162*	140*	128*	110*	96.8*	85.5*	24
26	230	221	206	175	160	138*	127*	109*	95.7*	84.5*	26
28	214	212	203	172	157	136	126*	108*	94.4*	84.0*	28
30	198	197	195	168	155	134	125	107*	93.1*	83.0*	30
32	185	183	182	164	153	132	124	106*	91.8*	82.5*	32
34	173	171	170	160	150	130	123	105	90.8*	82.0*	34
36	162	160	159	157	147	128	122	104	89.3*	81.0*	36
38	153	151	150	149	144	126	121	103	87.5	79.0*	38
40	144	142	141	140	138	124	120	102	86.2	74.3*	40
44	129	127	126	125	124	120	117	100	83.1	65.7*	44
48	117	115	114	113	111	110	109	98	76.9	57.9*	48
52	106	104	103	102	101	99.9	98.2	90.8	69.2	50.8*	52
56	96.9	95.3	94.2	93.4	91.8	90.9	89.2	82.6	62.1	44.5*	56
60	89	87.4	86.4	85.6	84	83.1	81.5	75.1	55	38.5*	60
64	82.1	80.5	79.5	78.7	77.1	76.2	74.6	68.5	48.9	32.8*	64
68	75.9	74.4	73.4	72.6	71	70.1	68.6	61.3	43.5	28.3*	68
72	70.5	68.9	67.9	67.2	65.6	64.7	63.2	55.5	38.1	23.3*	72
76	65.6	64	63.1	62.3	60.7	59.9	58.3	50	32.9	18.7*	76
80	61.1	59.6	58.7	57.9	56.4	55.5	53.1	44.8	28	14.2*	80
84		55.6	54.7	53.9	52.4	51.6	47.5	39.8	23.5	10.7*	84
88			51	50.3	48.8	47.9	42.2	35	19.1*	6.7*	88
92				47	45.4	44.6	37	30.5	15.7*	3.0*	92
96					42.4	39.6	32.7	26.2	11.6*		96
100					38.8	34.8	28.4	22	7.8*		100
104						29.6	23.9	18	4.2*		104
108							19.5	13.4			108
112								9.8			112

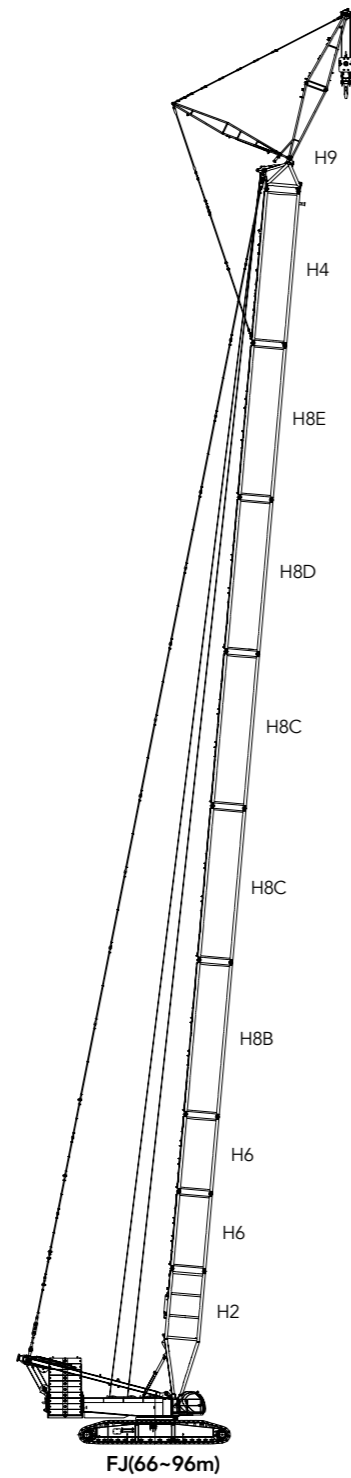
Notes:

1. The rated capacity listed in the table includes the weight of hook, wire rope and other riggings, therefore, the actual rated capacity shall deduct the weight of these components.
2. The rated load of the main hook when there's extension jib is the value in the load table deducting 1t as the weight of extension jib.
3. Data marked with \* in the table means that the superlift counterweight cannot lift above the ground under this condition.

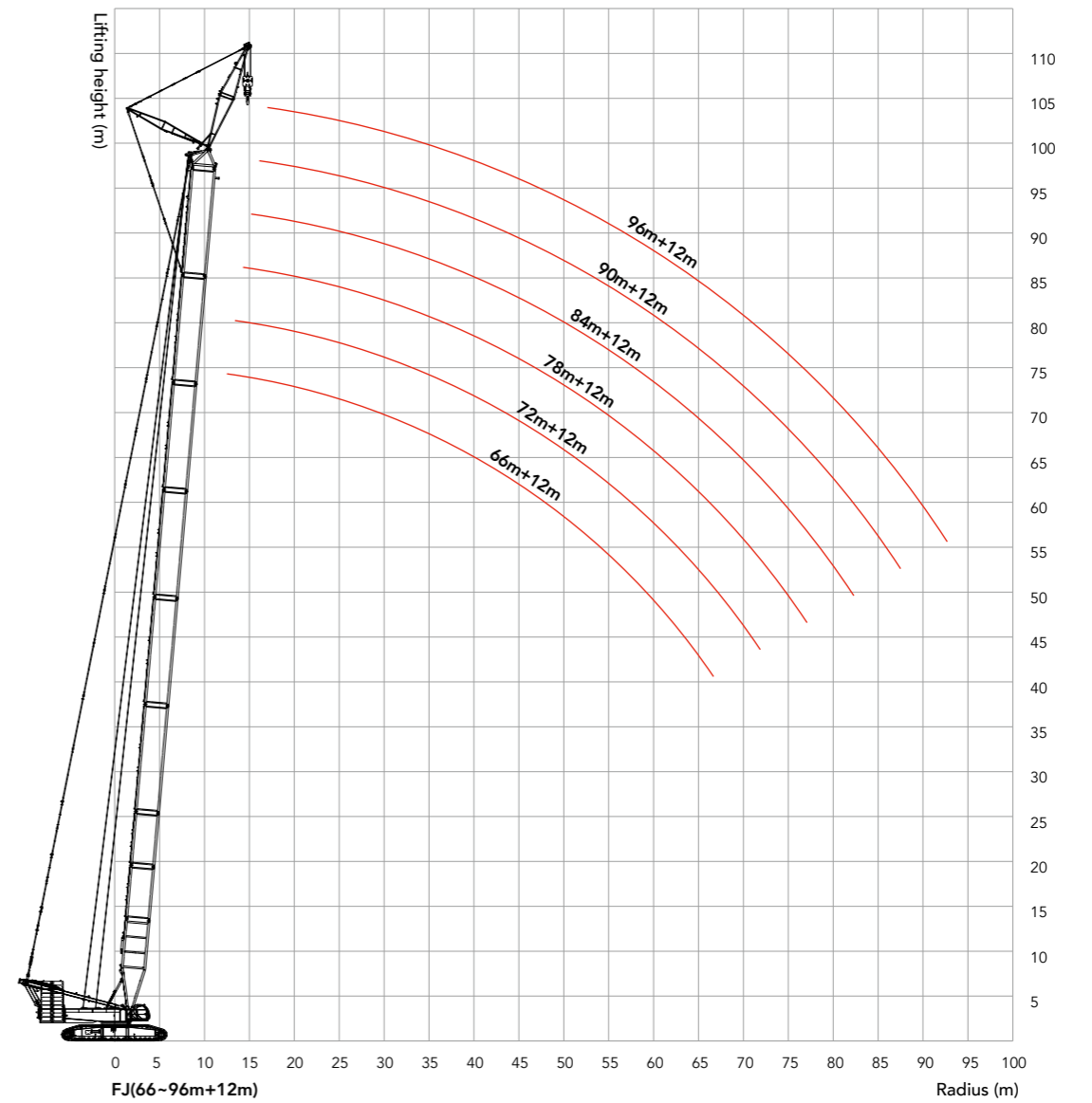
**FJ Boom Combination**

FJ Boom Combination				
Boom length (m)	Boom insert			
	6m	12mB	12mC	12mD
66	1	1	2	—
72	2	1	2	—
78	1	1	2	1
84	2	1	2	1
90	1	1	2	2
96	2	1	2	2

Notes: The 10.5m boom base, 12m transition boom and the boom head are must.



**FJ Work Radius**



**Load Chart of FJ Configuration**

SCC6500A Crawler Crane —Load Chart of FJ Configuration 1/3							
The boom length ranges 66m ~ 96m, jib 12m, boom and jib included angle is 10°, the rear counterweight is 210t, the center counterweight is 60t							
Radius (m)	66	72	78	84	90	96	Radius (m)
12	168	167					12
13	165	166	163	162			13
14	162	163	160	159	158	156	14
15	160	159	156	155	153	152	15
16	158	156	152	150	148	147	16
17	156	153	149	145	142	139	17
18	154	150	146	141	136	131	18
19	148	143	138	134	129	124	19
20	140	135	131	126	122	117	20
22	126	122	118	113	110	106	22
24	114	110	107	103	99.4	95.5	24
26	104	100	97.2	93.5	90.4	86.8	26
28	95.5	91.8	89.0	85.4	82.6	79.2	28
30	87.8	84.3	81.7	78.3	75.7	72.4	30
32	81.0	77.7	75.2	72.0	69.5	66.4	32
34	75.0	71.8	69.4	66.4	64.0	61.0	34
36	69.5	66.5	64.2	61.3	59.0	56.2	36
38	64.7	61.7	59.6	56.7	54.6	51.8	38
40	60.2	57.4	55.3	52.5	50.5	47.8	40
44	51.7	49.8	47.9	45.2	43.3	40.7	44
48	44.7	43.1	41.6	39.1	37.3	34.8	48
52	38.9	37.3	36.3	33.8	32.1	29.6	52
56	33.9	32.3	31.4	29.2	27.6	25.2	56
60	29.6	28.0	27.2	25.2	23.6	21.3	60
64	25.9	24.3	23.4	21.7	20.1	17.8	64
68	22.6	21.0	20.2	18.5	17.0	14.7	68
72		18.1	17.3	15.7	14.2	12.0	72
76		15.5	14.7	13.1	11.7	9.5	76
80			12.3	10.8	9.4	7.2	80
84				8.6	7.3	5.2	84
88					5.4		88

Notes: The rated capacity listed in the table includes the weight of hook, wire rope and other riggings, therefore, the actual rated capacity shall deduct the weight of these components.

**Load Chart of FJ Configuration**

SCC6500A Crawler Crane —Load Chart of FJ Configuration 2/3							
The boom length ranges 66m ~ 96m, jib 12m, boom and jib included angle is 15°, the rear counterweight is 210t, the center counterweight is 60t							
Radius (m)	66	72	78	84	90	96	Radius (m)
13	150	148					13
14	149	147	146	145			14
15	148	146	145	144	141	135	15
16	147	145	144	143	140	134	16
17	146	143	142	141	139	133	17
18	144	141	140	138	136	130	18
19	142	139	137	134	130	126	19
20	139	135	132	127	123	119	20
22	127	123	119	115	111	107	22
24	115	111	108	104	101	96.8	24
26	105	101	98.3	94.6	91.5	88	26
28	96.4	92.7	89.9	86.4	83.6	80.3	28
30	88.6	85.2	82.5	79.2	76.6	73.4	30
32	81.8	78.5	76.0	72.9	70.4	67.3	32
34	75.6	72.5	70.2	67.2	64.8	61.9	34
36	70.2	67.2	65.0	62.0	59.8	57.0	36
38	65.2	62.3	60.2	57.4	55.3	52.5	38
40	60.7	57.9	55.9	53.2	51.2	48.5	40
44	52.1	50.3	48.4	45.8	43.9	41.4	44
48	45.1	43.5	42.1	39.6	37.8	35.4	48
52	39.2	37.6	36.7	34.3	32.6	30.2	52
56	34.2	32.6	31.8	29.6	28.0	25.7	56
60	29.9	28.3	27.5	25.6	24.0	21.7	60
64	26.1	24.5	23.7	22.0	20.4	18.2	64
68	22.7	21.2	20.4	18.8	17.3	15.1	68
72		18.3	17.5	15.9	14.5	12.3	72
76		15.6	14.8	13.3	11.9	9.8	76
80			12.5	10.9	9.6	7.5	80
84				8.8	7.5	5.4	84
88					5.6		88

Notes: The rated capacity listed in the table includes the weight of hook, wire rope and other riggings, therefore, the actual rated capacity shall deduct the weight of these components.

**Load Chart of FJ Configuration**

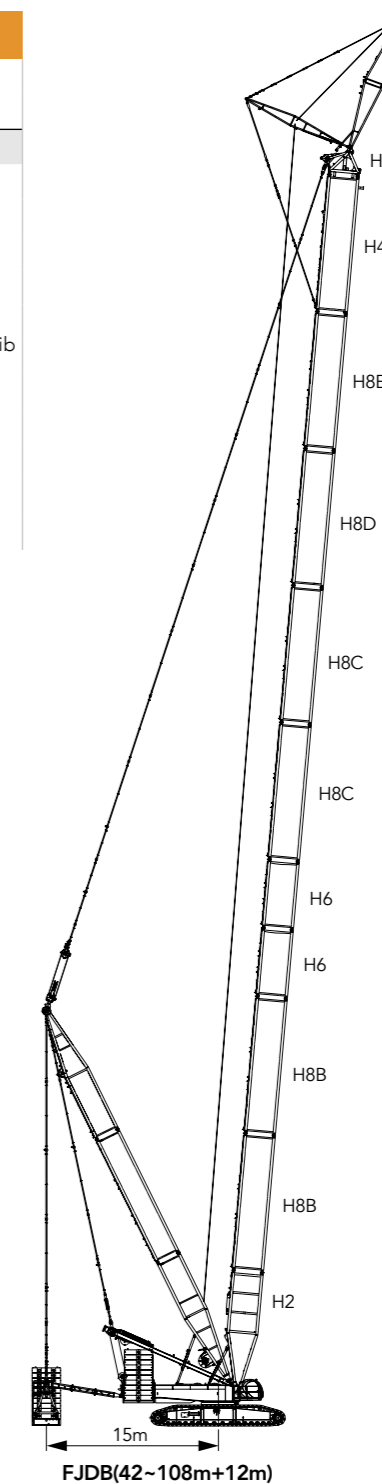
SCC6500A Crawler Crane —Load Chart of FJ Configuration 3/3							
The boom length ranges 66m ~ 96m, jib is 12m, boom and jib included angle is 20°, the rear counterweight is 210t, the center counterweight is 60t							
Radius (m)	66	72	78	84	90	96	Radius (m)
14	135	133					14
15	132	131	129	127			15
16	129	129	127	126	125	124	16
17	126	127	125	123	122	121	17
18	123	125	123	121	120	119	18
19	121	123	121	118	117	116	19
20	119	121	119	116	115	114	20
22	114	117	115	112	110	108	22
24	108	112	109	105	102	98.2	24
26	102	102	99.3	95.6	92.6	89.1	26
28	96.2	93.7	90.8	87.4	84.6	81.3	28
30	89.4	86	83.4	80.1	77.5	74.4	30
32	82.5	79.2	76.8	73.7	71.3	68.3	32
34	76.3	73.2	70.9	67.9	65.6	62.8	34
36	70.8	67.8	65.6	62.8	60.6	57.8	36
38	65.8	62.9	60.9	58.1	56.0	53.3	38
40	61.2	58.5	56.5	53.8	51.8	49.2	40
44	52.6	50.8	49.0	46.4	44.5	42.0	44
48	45.5	43.9	42.6	40.1	38.3	35.9	48
52	39.5	38.0	37.1	34.7	33.0	30.7	52
56	34.4	32.9	32.1	30.0	28.4	26.1	56
60	30.1	28.6	27.8	25.9	24.3	22.1	60
64	26.3	24.8	24.0	22.3	20.8	18.6	64
68	22.9	21.4	20.6	19.0	17.6	15.4	68
72		18.4	17.6	16.1	14.7	12.6	72
76		15.7	15.0	13.5	12.1	10.0	76
80			12.6	11.1	9.8	7.7	80
84				8.9	7.6	5.6	84
88					5.7		88

Notes: The rated capacity listed in the table includes the weight of hook, wire rope and other riggings, therefore, the actual rated capacity shall deduct the weight of these components.

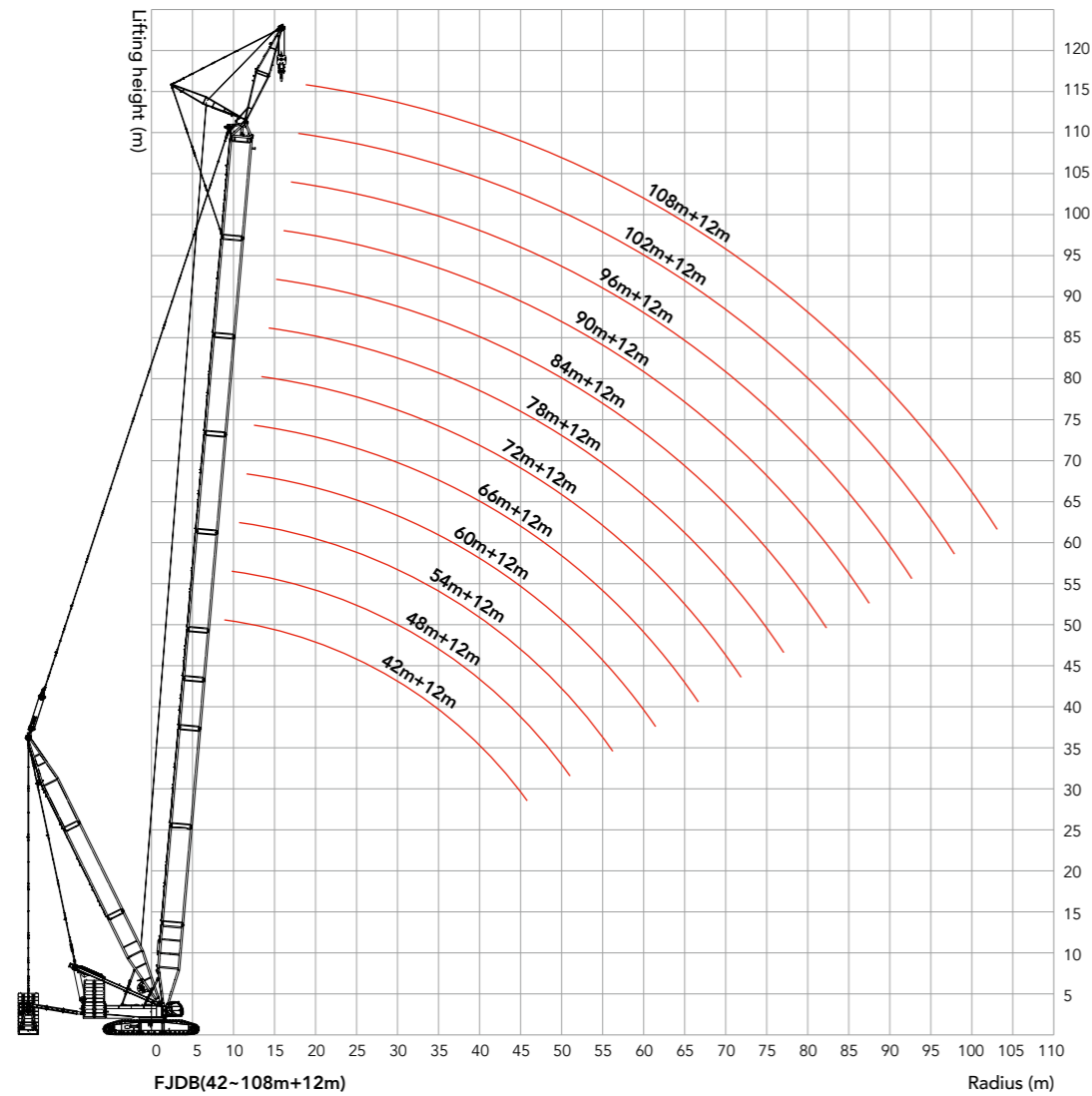
**FJDB Boom Combination**

FJDB Boom Combination					
Boom length (m)	Boom insert				
	6m	12mB	12mC	12mD	12mE
42	1	2	—	—	—
48	2	2	—	—	—
54	1	2	—	—	—
60	2	2	—	—	—
66	1	2	1	—	—
72	2	2	1	—	—
78	1	2	2	—	—
84	2	2	2	—	—
90	1	2	2	1	—
96	2	2	2	1	—
102	1	2	2	1	1
108	2	2	2	1	1

Notes: Boom base 10.5m, 12m transition section, main boom head are must.



**FJDB Work Radius**



**Load Chart of FJDB Configuration**

Unit: t

SCC6500A Crawler Crane - Load Chart of FJDB Configuration 1/3													
The main boom length ranges 42 - 108m, the auxiliary boom length is 12m, the main and auxiliary boom included angle is 10°, the overload lifting radius is 19m, overload lifting counterweight is 310t, the rear counterweight is 210t, the center counterweight is 60t													
Radius (m)	42	48	54	60	66	72	78	84	90	96	102	108	Radius (m)
9	168												9
10	168	168	168										10
11	168	168	168	168	168								11
12	164	168	168	168	168	168	168						12
13	157	161	165	168	168	168	168	168					13
14	151	153	158	164	166	168	168	168	168	168			14
15	143	147	152	157	159	164	168	168	168	168	165	149	15
16	138	142	147	151	155	159	164	166	168	168	165	149	16
17	132	136	141	146	150	155	159	162	164	165	165	149	17
18	127	130	138	142	145	150	155	158	161	162	164	149	18
19	121	127	132	136	139	145	151	153	157	158	160	149	19
20	118	122	127	132	134	141	144	148	152	153	156	149	20
22	111	115	121	125	128	134	138	141	144	146	149	149	22
24	105	108	115	119	122	129	131	135	137	140	143	146	24
26	99.9	104	109	111	116	121	126	129	132	134	136	139	26
28	93.5	99.4	103	106	111	117	119	123	127	128	132	134	28
30	89.4	94.7	98.4	102.0	105	111	115	118	121	123	126	129	30
32	85.1	90.3	93.9	98.8	100.0	105	110	114	117	119	121	125	32
34	81.4	85.9	90.3	95.1	94.3	102	106	108	112	115	117	120	34
36	78.2	82.3	86.7	90.8	91.8	98.6	101	104	108	110	113	116	36
38	74.8	78.0	82.8	86.3	89.7	95.1	98.2	101.0	106	107	110	112	38
40	72.2	76.5	79.7	82.9	86.0	91.5	93.9	97.6	101	102	105	107	40
44	67.5	72.4	75.0	79.3	81.9	85.6	88.2	91.2	96.7	98.4	100.0	102.0	44
48	63.3	67.0	71.3	74.6	77.4	80.8	82.2	86.9	90.8	92.7	94.2	97.2	48
52		62.4	66.2	70.2	72.9	76.0	78.3	81.8	85.3	86.4	88.8	92.0	52
56			62.8	66.7	68.2	71.7	74.7	77.2	81.3	81.9	84.8	87.3	56
60			58.4	63.7	65.7	69.0	70.3	74.2	76.7	78.9	81.0	82.9	60
64				60.1	62.7	65.7	67.8	70.8	72.2	75.6	76.6	80.2	64
68					59.5	63.2	66.1	68.1	69.5	72.0	73.4	77.1	68
72						61.2	63.1	65.5	66.7	69.0	71.3	74.2	72
76						58.6	61.1	63.3	64.7	66.5	68.4	71.4	76
80							59.1	61.4	62.8	64.9	66.8	68.7	80
84								59.4	61.1	63.2	64.1	66.7	84
88									59.4	60.9	62.2	64.8	88
92									57.5	59.4	60.3	61.7	92
96										58.1	57.9	58.8	96
100											53.6	54.2	100
104												49.6	104

Notes:

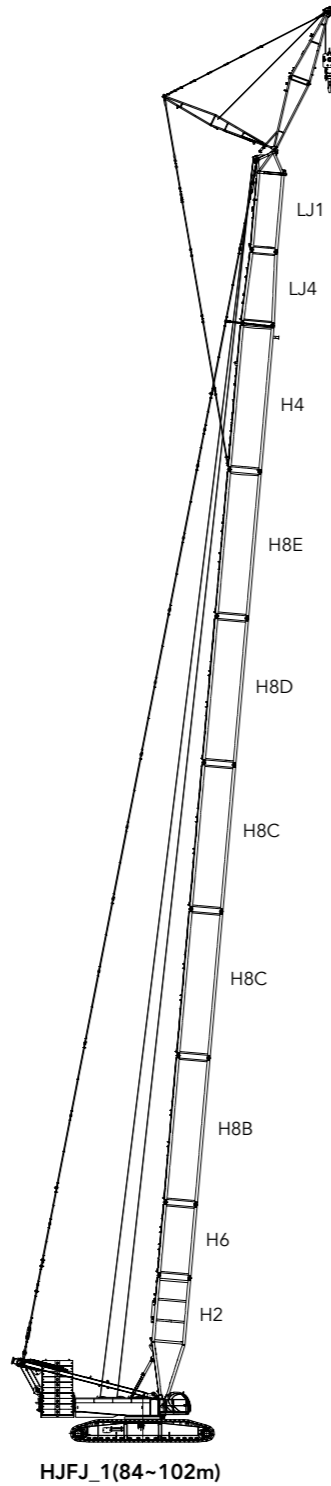
1. The rated capacity listed in the table includes the weight of hook, wire rope and other riggings, therefore, the actual rated capacity shall deduct the weight of these components.
2. The rated load of the main hook when there's extension jib is the value in the load table deducting 1t as the weight of extension jib.
3. Data marked with \* in the table means that the superlift counterweight cannot lift above the ground under this condition.



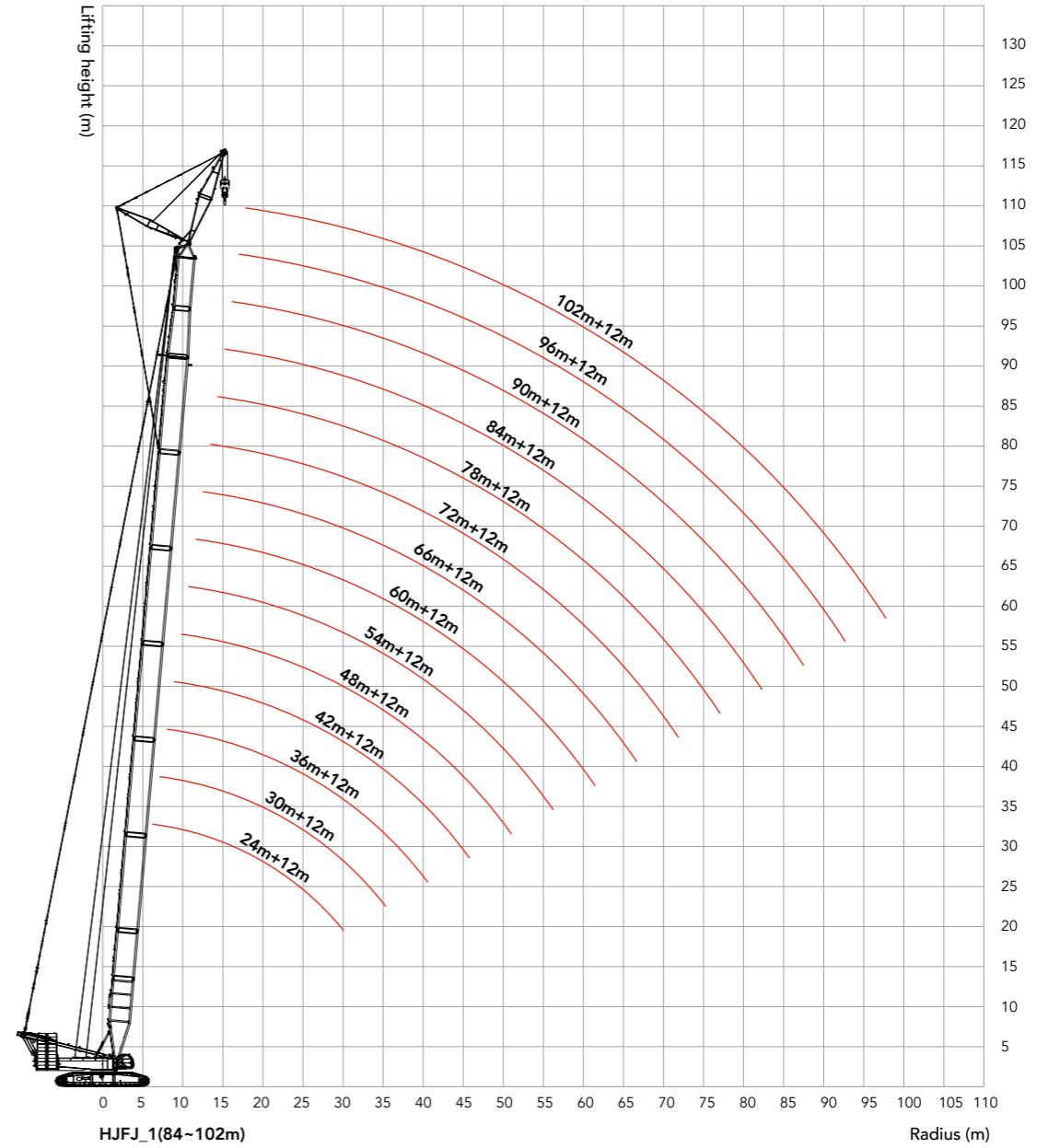
**HJFJ\_1 Boom Combination**

HJFJ_1 Boom Combination						
Boom length (m)	Boom insert					
	3m	6m	12mB	12mC	12mD	
84*	-	-	1	1	2	Fixed jib 12m
87*	1	-	1	1	2	
90*	-	1	1	1	2	
93*	1	1	1	1	2	
96*	-	-	1	2	2	
99*	1	-	1	2	2	
102*	-	1	1	2	2	

Notes: The boom base of 10.5m, 12m transition section, 6m tapered insert, 7.5m jib top are must. The configurations marked with \* must have mid-point suspension cable; otherwise, there is danger of boom breaking.



**HJFJ\_1 Work Radius**



**Load Chart of HJFJ\_1 Configuration**

SCC6500A Crawler Crane - Load Chart of HJFJ_1 Configuration 1/3								
Main boom length ranges 84m - 102m, auxiliary boom 12m, main and auxiliary boom included angle is 10° , rear counterweight is 210t, central counterweight is 60t								
Radius (m)	84	87	90	93	96	99	102	Radius (m)
13	168	165						13
14	165	164	158	152	150	147		14
15	163	161	153	150	148	145	142	15
16	153	151	148	147	146	142	141	16
17	145	143	145	145	144	141	141	17
18	136	135	143	142	142	138	137	18
19	130	127	140	138	139	136	135	19
20	123	121	135	134	135	134	133	20
22	111	109	120	119	119	119	120	22
24	100	99.8	104	100	93.9	96.7	99.5	24
26	92.4	90.7	91	89.5	85.6	83.9	80.4	26
28	84.8	83.2	81.6	80	78.4	76.8	71.7	28
30	78.1	76.6	75.1	73.5	72	70.5	65.9	30
32	72.1	70.7	69.3	67.7	66.3	64.9	60.7	32
34	66.8	65.4	64	62.6	61.2	59.9	55.9	34
36	62.1	60.6	59.4	58	56.6	55.3	51.7	36
38	57.7	56.3	55.1	53.8	52.4	51.1	47.8	38
40	53.8	52.4	51.2	49.9	48.6	47.4	44.3	40
44	46.8	45.6	44.5	43.2	42	40.8	38.1	44
48	40.7	39.8	38.8	37.5	36.4	35.2	32.8	48
52	36.1	34.9	33.8	32.6	31.5	30.3	28.3	52
56	31.7	30.6	29.5	28.4	27.3	26.1	24.3	56
60	27.7	26.8	25.7	24.7	23.6	22.5	20.9	60
64	24.2	23.5	22.5	21.4	20.3	19.2	17.8	64
68	21.2	20.4	19.6	18.4	17.4	16.3	15.1	68
72	18.4	17.7	16.9	15.9	14.8	13.7	12.7	72
76	16	15.2	14.5	13.5	12.4	11.4	10.4	76
80	13.8	13	12.4	11.3	10.4	9.2	8.5	80
84	11.8	11	10.4	9.3	8.4	7.3	6.7	84
88		9.2	8.6	7.6	6.6	5.5	5	88

Notes:

1. The rated capacity listed in the table includes the weight of hook, wire rope and other riggings, therefore, the actual rated capacity shall deduct the weight of these components.
2. The rated load of the main hook when there's extension jib is the value in the load table deducting 1t as the weight of extension jib.
3. Data marked with \* in the table means that the superlift counterweight cannot lift above the ground under this condition.
4. HJFJ102+12 working condition boom (rear counterweight 230t and center counterweight 40t).

**Load Chart of HJFJ\_1 Configuration**

SCC6500A Crawler Crane - Load Chart of HJFJ_1 Configuration 2/3								
Main boom length ranges 84m - 102m, auxiliary boom 12m, main and auxiliary boom included angle is 15° , rear counterweight is 210t, central counterweight is 60t								
Radius (m)	84	87	90	93	96	99	102	Radius (m)
14	155	153						14
15	153	151	149	147	145	143		15
16	150	149	147	144	141	139	130	16
17	143	140	139	136	133	131	129	17
18	136	133	130	128	126	124	123	18
19	128	126	124	122	119	117	117	19
20	121	119	117	115	113	111	111	20
22	110	108	106	104	102	100	99.6	22
24	100	98.6	96.7	94.9	92.9	91.1	90.9	24
26	91.3	89.7	88.1	86.4	84.8	83.1	82.9	26
28	83.8	82.2	80.7	79.1	77.7	76.1	75.9	28
30	77.2	75.7	74.2	72.8	71.3	68.8	69.2	30
32	71.3	69.8	68.5	64.9	63.5	62.2	61.4	32
34	66	64.7	63.3	60	58.7	57.4	56.6	34
36	61.3	60	58.7	55.5	54.3	53	52.3	36
38	57	55.8	53.5	50.5	50.3	49.1	48.4	38
40	52.1	51.9	48.7	45.9	46.7	45.5	44.8	40
44	46.3	45.2	44	41.4	40.3	39.2	38.6	44
48	40.5	39.4	38.3	36	34.9	33.8	33.3	48
52	35.6	34.5	33.5	31.3	30.2	29.2	28.7	52
56	31.3	30.3	29.3	27.3	26.3	25.2	24.8	56
60	27.4	26.6	25.6	23.7	22.7	21.7	21.2	60
64	24	23.3	22.3	20.5	19.5	18.5	18.2	64
68	20.9	20.2	19.3	17.7	16.7	15.8	15.4	68
72	18.2	17.5	16.7	15.2	14.3	13.2	13	72
76	15.8	15.1	14.4	13	12	11	10.7	76
80	13.7	12.9	12.3	10.9	10	9	8.6	80
84	11.6	11	10.3	9	8.1	7.1	6.8	84
88		9.1	8.5	7.3	6.4	5.4	5.1	88

Notes:

1. The rated capacity listed in the table includes the weight of hook, wire rope and other riggings, therefore, the actual rated capacity shall deduct the weight of these components.
2. The rated load of the main hook when there's extension jib is the value in the load table deducting 1t as the weight of extension jib.
3. Data marked with \* in the table means that the superlift counterweight cannot lift above the ground under this condition.
4. HJFJ102+12 working condition boom (rear counterweight 230t and center counterweight 40t).



**Load Chart of HJFJ\_1 Configuration**

SCC6500A Crawler Crane - Load Chart of HJFJ_1 Configuration 3/3								
Main boom length ranges 84m - 102m, auxiliary boom 12m, main and auxiliary boom included angle is 20° , rear counterweight is 210t, central counterweight is 60t								
Radius (m)	84	87	90	93	96	99	102	Radius (m)
15	132	131	129					15
16	130	128	127	126	125	121		16
17	129	127	126	124	123	121	114	17
18	127	126	124	123	122	119	113	18
19	125	124	122	121	119	117	112	19
20	122	121	118	116	114	114	107	20
22	111	109	107	105	103	102	99.4	22
24	101	99.5	97.7	96.8	96	93.2	92.9	24
26	92.3	90.6	89	88.3	87.6	86.1	85.8	26
28	84.6	83	83.3	80.9	80.2	80.8	79.8	28
30	77.9	76.4	76.7	74.4	73.7	74.5	72.8	30
32	72	70.6	70.8	68.5	67.9	68.6	67	32
34	66.7	65.4	65.5	63.4	62.7	63.2	61.8	34
36	61.9	60.6	60.6	58	56.8	58.5	56.5	36
38	57.6	56.4	56.3	53.8	52.6	53	50.8	38
40	53.7	52.5	52.3	50	48.8	47.5	46.5	40
44	46.8	45.7	44.5	43.3	42.2	40.6	40	44
48	41	39.9	38.8	37.7	36.5	35.1	34.5	48
52	36	34.9	33.9	32.7	31.7	30.3	29.8	52
56	31.7	30.6	29.6	28.6	27.5	26.1	25.7	56
60	27.7	26.9	25.9	24.8	23.8	22.4	22.1	60
64	24.2	23.5	22.6	21.5	20.6	19.2	18.9	64
68	21.1	20.5	19.6	18.6	17.6	16.4	15.7	68
72	18.4	17.7	17	15.9	15	13.8	13.1	72
76	16	15.3	14.6	13.6	12.6	11.5	10.9	76
80	13.8	13	12.4	11.4	10.5	9.4	8.8	80
84	11.7	11.1	10.4	9.5	8.6	7.5	6.9	84
88		9.2	8.6	7.6	6.7	5.6	5.2	88

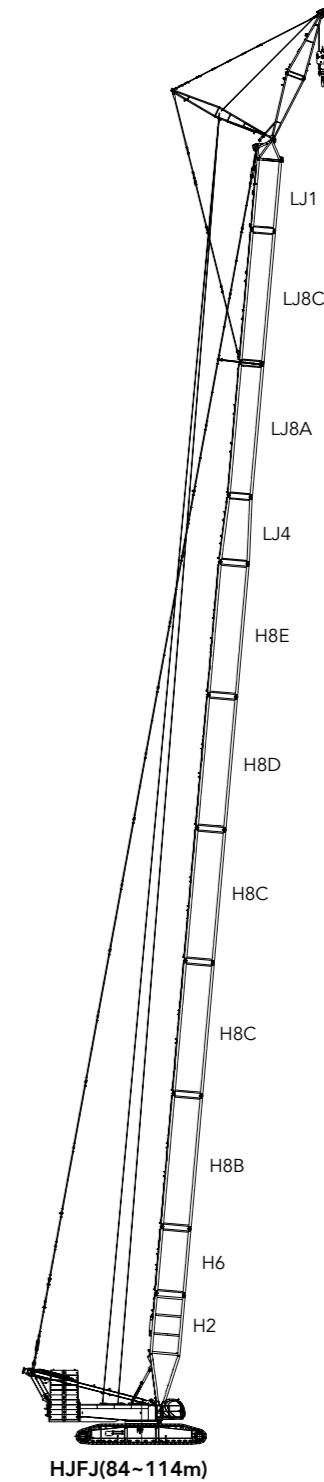
Notes:

1. The rated capacity listed in the table includes the weight of hook, wire rope and other riggings, therefore, the actual rated capacity shall deduct the weight of these components.
2. The rated load of the main hook when there's extension jib is the value in the load table deducting 1t as the weight of extension jib.
3. Data marked with \* in the table means that the superlift counterweight cannot lift above the ground under this condition.
4. HJFJ102+12 working condition boom (rear counterweight 230t and center counterweight 40t).

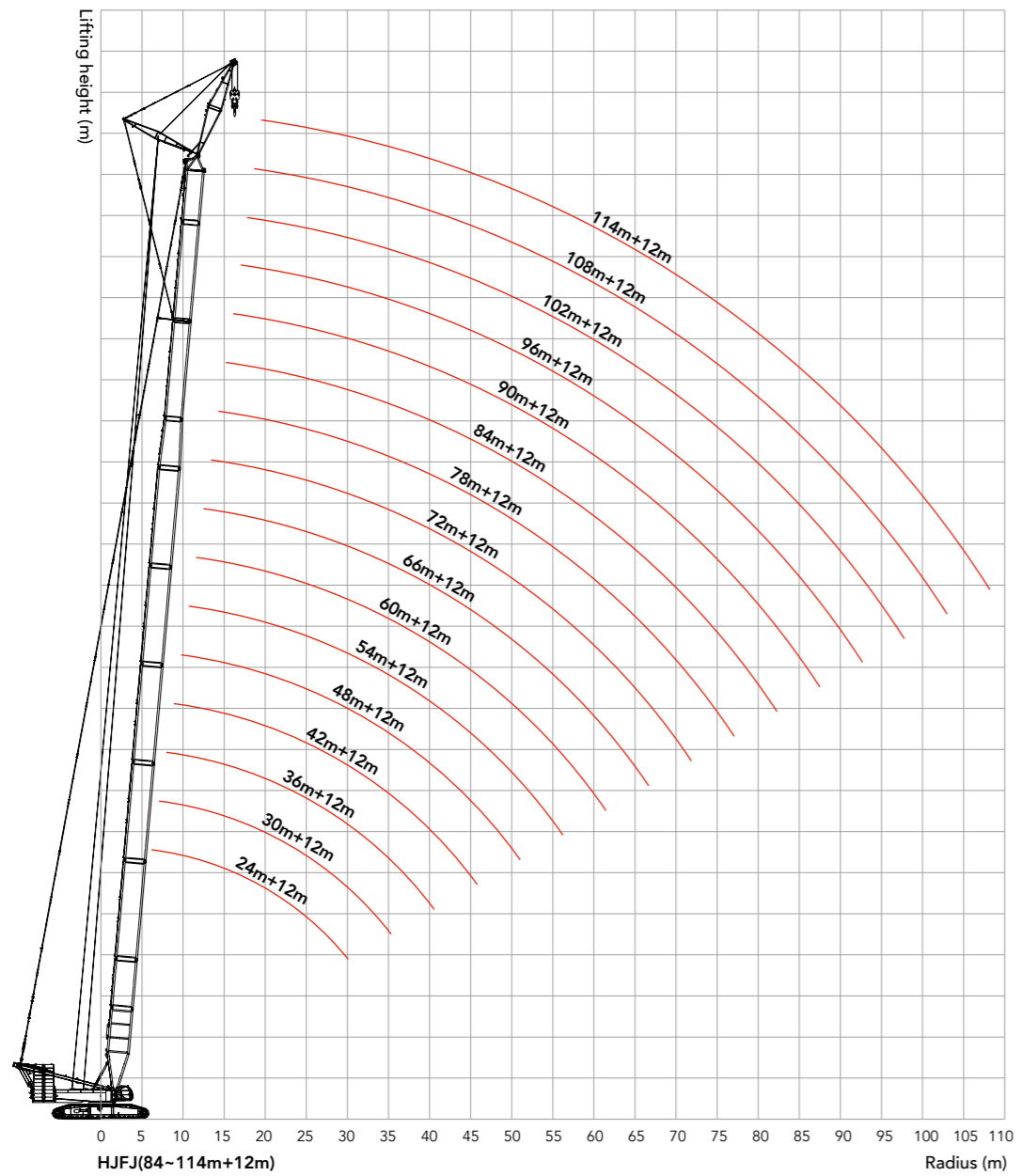
**HJFJ Boom Combination**

HJFJ Boom Combination					
Boom length (m)	Boom insert		Jib insert		Fixed jib 12m
	6m	12m	6m	12m	
84	1	4	—	1	
90*	1	4	1	1	
96*	—	4	1	2	
102*	1	4	1	2	
108*	—	5	1	2	
114*	1	5	1	2	

Notes: main boom base 10.5m, 6m tapered section, 7.5m jib top are must. In the jib configuration: jib base, 6m tapered section and jib upper boom are must. The \* marked configurations must have mid-point suspension cable; otherwise, there is danger of boom breaking.



### HJFJ Work Radius



Unit: t

### Load Chart of HJFJ Configuration

SCC6500A Crawler Crane - Load Chart of HJFJ Configuration 1/3							
Main boom length ranges 84m - 114m, auxiliary boom 12m, main and auxiliary boom included angle is 10° , rear counterweight is 210t, central counterweight is 60t							
Radius (m)	84	90	96	102	108	114	Radius (m)
13	158						
14	156	148	136				14
15	155	144	134	118	109		15
16	152	140	130	116	108	93.5	16
17	146	133	125	114	107	92.5	17
18	137	127	120	111	105	91.5	18
19	128	120	114	107	102	89.5	19
20	119	113	107	103	98.4	88	20
22	106	99.3	96.8	92.1	88.4	83.5	22
24	96.6	91	88.3	84.4	81	77.4	24
26	88.2	83.7	81.3	77.7	74.5	71.1	26
28	80.9	77.3	75.1	71.6	68.7	65.4	28
30	74.9	71.5	69.5	66.3	63.5	60.4	30
32	69.6	66.4	64.5	61.4	58.8	55.8	32
34	64.8	61.7	60	57	54.5	51.6	34
36	60.5	57.5	55.9	53	50.6	47.8	36
38	56.6	53.7	52.2	49.4	47.1	44.4	38
40	52.9	50.1	48.7	46.0	43.8	41.2	40
44	46.6	43.9	42.7	40.1	38.0	35.5	44
48	41.2	38.6	37.5	35.0	33.0	30.6	48
52	36.5	34.0	33.0	30.6	28.7	26.4	52
56	32.4	30.0	29.1	26.8	24.9	22.6	56
60	28.9	26.5	25.6	23.3	21.6	19.3	60
64	25.7	23.4	22.5	20.3	18.6	16.4	64
68	22.8	20.6	19.8	17.6	15.9	13.7	68
72	20.3	18.1	17.3	15.1	13.5	11.4	72
76	18.0	15.8	15.1	12.9	11.3	7.1	76
80	15.9	13.7	13.0	10.9	9.3		80
84	14.0	11.8	11.2	9.1	5.6		84

Notes:

- The rated capacity listed in the table includes the weight of hook, wire rope and other riggings, therefore, the actual rated capacity shall deduct the weight of these components.
- The rated load of the main hook when there's extension jib is the value in the load table deducting 1t as the weight of extension jib.
- Data marked with \* in the table means that the superlift counterweight cannot lift above the ground under this condition.
- HJFJ114+12 working condition boom (rear counterweight 230t and center counterweight 40t).

### Load Chart of HJFJ Configuration

SCC6500A Crawler Crane - Load Chart of HJFJ Configuration 2/3							
Main boom length ranges 84m - 114m, auxiliary boom 12m, main and auxiliary boom included angle is 15° , rear counterweight is 210t, central counterweight is 60t							
Radius (m)	84	90	96	102	108	114	Radius (m)
14	154	138					14
15	150	136	132				15
16	140	134	130	118	106		16
17	132	129	125	115	105	89.5	17
18	126	122	117	112	104	88.5	18
19	120	116	111	107	101	87.5	19
20	115	110	106	102	98	86.5	20
22	105	100	97.2	93.1	89.5	83.6	22
24	95.9	91.9	89.2	85.4	82	78.4	24
26	88.3	84.6	82.1	78.5	75.4	72	26
28	81.6	78	75.8	72.5	69.6	66.3	28
30	75.6	72.3	70.2	67	64.3	61.2	30
32	70.3	67.1	65.2	62.1	59.5	56.6	32
34	65.4	62.4	60.6	57.7	55.2	52.3	34
36	61.1	58.1	56.5	53.7	51.3	48.5	36
38	57.1	54.2	52.7	50	47.7	45	38
40	53.4	50.7	49.3	46.6	44.4	41.8	40
44	47	44.4	43.2	40.6	38.6	36.1	44
48	41.6	39	37.9	35.5	33.5	31.1	48
52	36.9	34.4	33.4	31	29.2	26.8	52
56	32.7	30.4	29.4	27.1	25.3	23.1	56
60	29.1	26.8	25.9	23.7	21.9	19.7	60
64	25.9	23.6	22.8	20.6	18.9	16.7	64
68	23	20.8	20	17.9	16.2	14.1	68
72	20.5	18.3	17.5	15.4	13.8	11.7	72
76	18.1	16	15.3	13.1	11.5	7.9	76
80	16	13.9	13.2	11.1	9.5		80
84	14.1	12	11.3	9.2	6.4		84

Notes:

1. The rated capacity listed in the table includes the weight of hook, wire rope and other riggings, therefore, the actual rated capacity shall deduct the weight of these components.
2. The rated load of the main hook when there's extension jib is the value in the load table deducting 1t as the weight of extension jib.
3. Data marked with \* in the table means that the superlift counterweight cannot lift above the ground under this condition.
4. HJFJ114+12 working condition boom (rear counterweight 230t and center counterweight 40t).

### Load Chart of HJFJ Configuration

SCC6500A Crawler Crane - Load Chart of HJFJ Configuration 3/3							
Main boom length ranges 84m - 114m, auxiliary boom 12m, main and auxiliary boom included angle is 20° , rear counterweight is 210t, central counterweight is 60t							
Radius (m)	84	90	96	102	108	114	Radius (m)
15	124	122					15
16	123	120	116	112			16
17	121	118	114	111	103	85	17
18	119	115	111	109	102	84	18
19	117	112	108	106	101	83	19
20	114	109	105	103	99.1	82	20
22	106	101	98.2	94.1	90.5	79.3	22
24	96.8	92.8	90.1	86.3	83	76.7	24
26	89.1	85.4	83	79.4	76.3	72.9	26
28	82.3	78.8	76.6	73.3	70.4	67.2	28
30	76.3	73	71	67.8	65.1	62	30
32	70.9	67.7	65.9	62.8	60.3	57.3	32
34	66	63	61.3	58.4	55.9	53.1	34
36	61.6	58.7	57.1	54.3	51.9	49.2	36
38	57.6	54.8	53.3	50.6	48.3	45.6	38
40	53.9	51.2	49.8	47.2	45.0	42.4	40
44	47.5	44.9	43.6	41.1	39.1	36.6	44
48	42.0	39.5	38.3	35.9	34.0	31.6	48
52	37.2	34.8	33.8	31.4	29.6	27.3	52
56	33.0	30.7	29.8	27.5	25.7	23.5	56
60	29.4	27.1	26.2	24.0	22.3	20.1	60
64	26.1	23.9	23.1	20.9	19.2	17.1	64
68	23.2	21.0	20.3	18.1	16.5	14.4	68
72	20.6	18.5	17.7	15.6	14.0	11.9	72
76	18.3	16.1	15.4	13.4	11.8	8.8	76
80	16.1	14.0	13.4	11.3	9.7	4.5	80
84	14.2	12.1	11.4	9.4	7.2		84

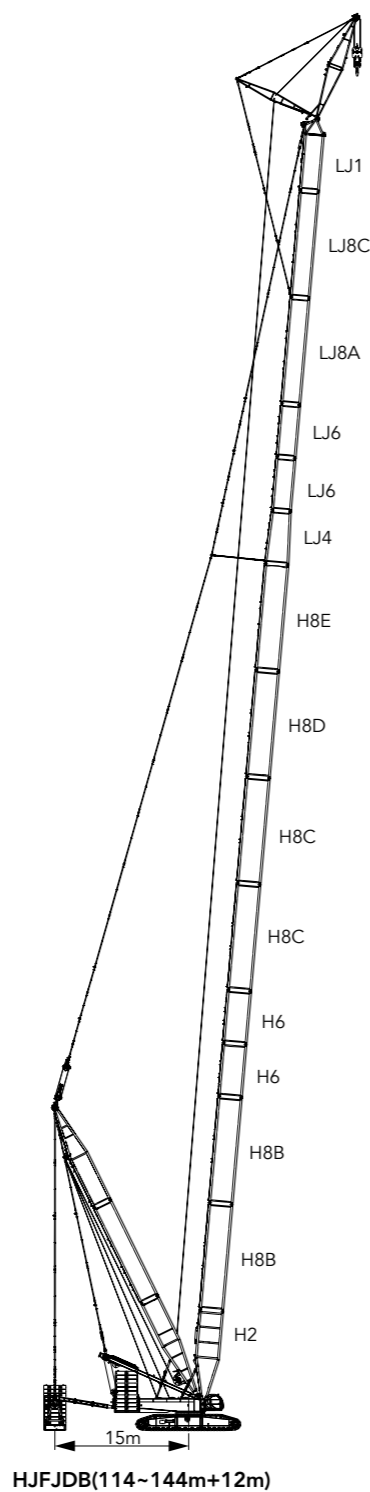
Notes:

1. The rated capacity listed in the table includes the weight of hook, wire rope and other riggings, therefore, the actual rated capacity shall deduct the weight of these components.
2. The rated load of the main hook when there's extension jib is the value in the load table deducting 1t as the weight of extension jib.
3. Data marked with \* in the table means that the superlift counterweight cannot lift above the ground under this condition.
4. HJFJ114+12 working condition boom (rear counterweight 230t and center counterweight 40t).

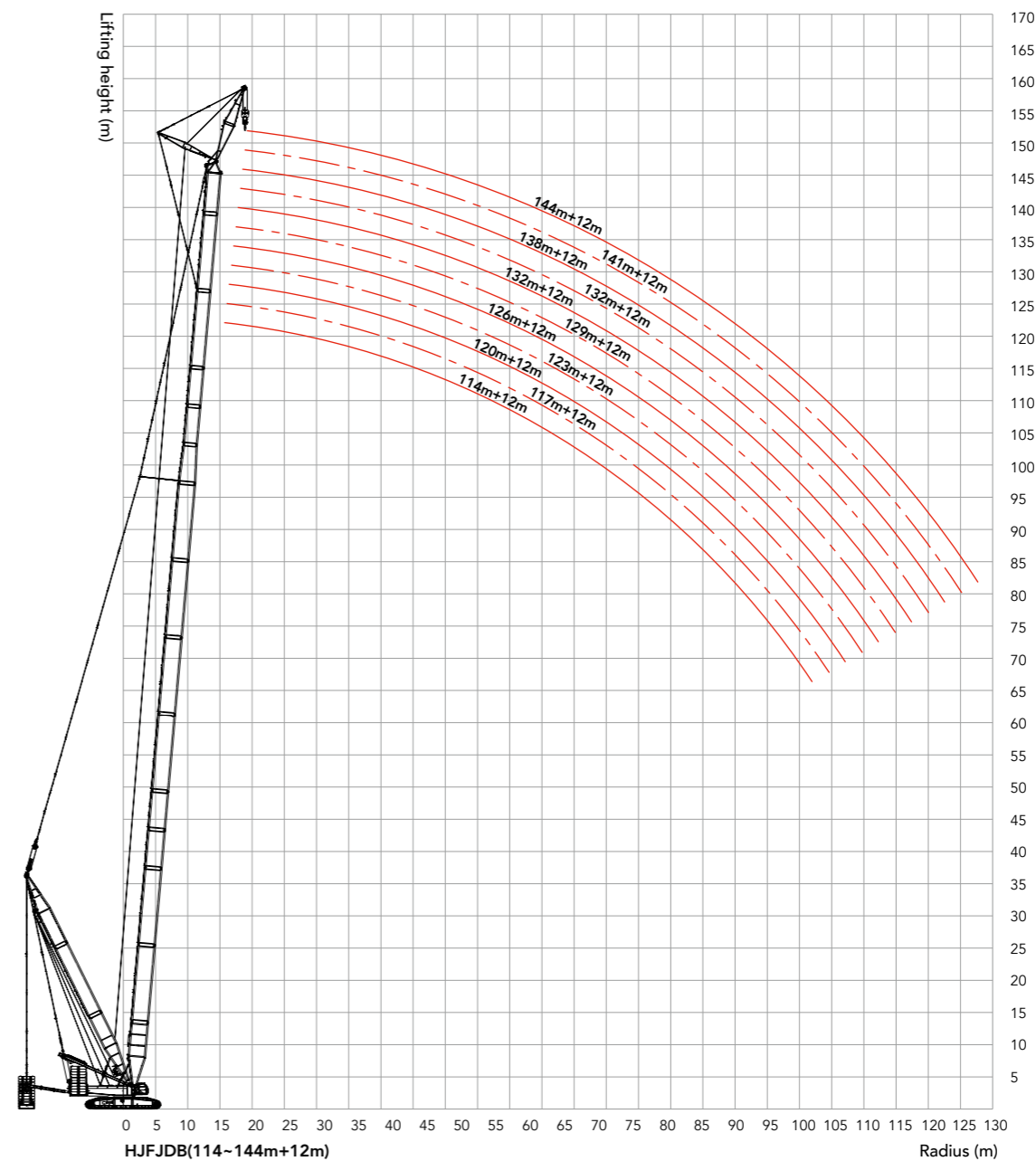
### HJFJDB Boom Combination

HJFJDB Boom Combination					
Boom length (m)	Boom insert			Jib insert	
	3m	6m	12m	6m	12m
114*	—	1	5	—	2
117*	1	1	5	—	2
120*	—	2	5	—	2
123*	1	2	5	—	2
126*	—	1	6	—	2
129*	1	1	6	—	2
132*	—	2	6	—	2
135*	1	2	6	—	2
138*	—	2	6	1	2
141*	1	2	6	1	2
144*	—	2	6	2	2

Notes: main boom base 10.5m, 6m tapered section, 7.5m jib top are must. In the jib configuration: jib base, 6m tapered section and jib upper boom are must. The mid-point suspension cable must be be used for all boom length from 114m - 144m, otherwise, there is danger of boom breaking.



### HJFJDB Work Radius



**Load Chart of HJFJDB Configuration**

SCC6500A Crawler Crane —Load Chart of HJFJDB Configuration 1/3												
The main boom length ranges 114 - 144m, the auxiliary boom length is 12m, the main and auxiliary boom included angle is 10°, the overload lifting radius is 19m, overload lifting counterweight is 310t, the rear counterweight is 210t, the center counterweight is 60t												
Radius (m)	114	117	120	123	126	129	132	135	138	141	144	Radius (m)
15	124*											15
16	124*	117*	109*	106*								16
17	124*	117*	109*	106*	101*	97.2*	93.0*	88.1*				17
18	124*	117*	109*	106*	101*	97.5*	92.9*	88.0*	82.0*	77.7*	72.4*	18
19	124*	117*	109*	105*	100*	97.2*	92.6*	87.9*	81.7*	77.6*	72.1*	19
20	124*	116*	109*	105*	100*	97.0*	92.4*	87.8*	81.5*	77.6*	72.0*	20
22	123*	116*	109*	105*	100*	96.5*	92.2*	87.7*	81.4*	77.5*	71.7*	22
24	123*	115*	108*	104*	99.5*	96.1*	92.1*	87.4*	81.0*	77.2*	71.2*	24
26	123*	115*	108*	103*	98.8*	95.5*	91.9*	87.0*	80.8*	76.9*	70.9*	26
28	123*	114*	107*	102*	97.6*	94.5*	91.4*	86.3*	80.6*	76.4*	70.6*	28
30	122*	113*	106*	101*	96.3*	93.4*	90.5*	85.5*	80.3*	76.0*	70.4*	30
32	120*	112*	105*	99.9*	94.8*	92.2*	89.6*	84.9*	80.1*	75.7*	70.0*	32
34	119*	110*	103*	98.2*	93.3*	90.9*	88.5*	84.0*	79.4*	75.3*	69.7*	34
36	117*	108*	101*	96.5*	91.9*	89.5*	87.0*	82.6*	78.1*	74.5*	69.4*	36
38	115*	106*	99.4*	94.8*	90.1*	87.8*	85.4*	81.1*	76.8*	73.6*	69.1*	38
40	113*	104*	97.3*	92.6*	87.9*	85.8*	83.7*	79.6*	75.4*	72.6*	68.8*	40
44	108*	101*	94.2*	89.4*	84.6*	82.7*	80.8*	76.9*	72.9*	70.8*	68.2*	44
48	102*	96.5*	91.1*	86.1*	81.0*	79.4*	77.7*	73.9*	70.1*	68.5*	66.9*	48
52	96.1	91.4*	86.8*	81.9*	77.0*	75.4*	73.7*	70.3*	66.8*	65.7*	64.5*	52
56	90.5	86.5	83.1*	78.2*	73.2*	71.3*	69.4*	66.4*	63.4*	62.6*	61.8*	56
60	85.1	81.6	78.8	74.3*	69.8*	67.6*	65.4*	62.5*	59.6*	59.5*	59.3*	60
64	80.2	77.3	74.8	70.8	66.7*	64.3*	61.9*	59.3*	56.7*	56.5*	56.2*	64
68	75.4	73.1	71.0	67.8	64.5	61.9	59.2*	56.6*	53.9*	53.4*	52.9*	68
72	72.0	70.1	68.3	65.0	61.7	59.0	56.2	53.9	51.6*	50.8*	45.5*	72
76	69.5	67.5	65.7	62.4	59.1	56.7	54.2	52.1	50.0	48.9	37.7*	76
80	67.7	65.4	63.4	60.1	56.8	54.6	52.4	50.6	48.7	47.4	30.4*	80
84	65.7	63.2	61.5	58.2	54.8	53.1	51.4	49.5	47.6	41.2*	23.5*	84
88	63.8	61.5	59.3	56.0	52.7	51.7	50.6	48.6	45.2	34.2*	17.1*	88
92	62.3	59.9	58.0	54.7	51.4	50.3	49.2	47.2	37.0	26.9*	11.1*	92
96	60.9	59.0	57.1	53.6	50.0	48.8	47.5	45.7	29.3*	20.0*		96
100	59.6	57.6	55.7	52.2	48.6	47.3	46.0	44.3	22.0*	13.4*		100
104	57.4	55.5	53.8	50.5	47.2	45.8	44.3	39.9	15.1*	7.1*		104

Notes:

- 1. The rated capacity listed in the table includes the weight of hook, wire rope and other riggings, therefore, the actual rated capacity shall deduct the weight of these components.
- 2. The rated load of the main hook when there's extension jib is the value in the load table deducting 1t as the weight of extension jib.
- 3. Data marked with \* in the table means that the superlift counterweight cannot lift above the ground under this condition.

**Load Chart of HJFJDB Configuration**

SCC6500A Crawler Crane —Load Chart of HJFJDB Configuration 2/3												
The main boom length ranges 114 - 144m, the auxiliary boom length is 12m, the main and auxiliary boom included angle is 15°, the overload lifting radius is 19m, overload lifting counterweight is 310t, the rear counterweight is 210t, the center counterweight is 60t												
Radius (m)	114	117	120	123	126	129	132	135	138	141	144	Radius (m)
16	121*											16
17	121*	114*	108*	103*								17
18	121*	114*	108*	103*	99.5*	94.6*	91.9*	85.2*				18
19	121*	114*	108*	103*	99.5*	94.6*	91.9*	85.1*	80.0*	74.8*	71.4*	19
20	121*	114*	107*	102*	99.3*	94.6*	91.6*	85.0*	80.0*	74.8*	71.4*	20
22	121*	114*	107*	102*	98.9*	94.3*	91.6*	84.9*	80.0*	74.8*	71.4*	22
24	121*	114*	107*	102*	98.5*	94.0*	91.5*	84.8*	80.0*	74.7*	71.2*	24
26	121*	113*	106*	101*	98.0*	93.5*	91.2*	84.6*	80.0*	74.5*	70.8*	26
28	120*	112*	105*	100*	97.5*	92.9*	90.5*	84.2*	80.0*	74.3*	70.4*	28
30	119*	111*	104*	99.1*	96.2*	91.8*	89.7*	83.6*	79.5*	74.1*	70.4*	30
32	118*	110*	103*	98.2*	95.0*	90.2*	88.8*	83.0*	79.2*	73.7*	70.0*	32
34	117*	109*	102*	96.8*	93.5*	88.8*	87.7*	82.2*	78.6*	73.3*	69.7*	34
36	115*	107*	100*	95.1*	92.0*	87.4*	86.3*	80.9*	77.4*	72.5*	69.3*	36
38	113*	105*	98.5*	93.6*	90.6*	85.9*	84.7*	79.5*	76.2*	71.5*	68.5*	38
40	111*	103*	96.4*	92.1*	89.4*	84.5*	83.0*	78.0*	74.9*	70.5*	67.8*	40
44	106*	99.2*	93.4*	88.8*	85.9*	81.4*	80.2*	75.4*	72.5*	68.7*	66.5*	44
48	100*	94.7*	90.3*	85.5*	83.3*	78.6*	77.1*	72.6*	69.8*	66.5*	64.8*	48
52	94.5	89.2*	86.1*	81.3*	79.8*	74.9*	73.1*	69.0*	66.6*	63.8*	62.5*	52
56	89.1	84.7	82.4*	77.6*	75.9*	71.0*	68.9*	64.8*	63.3*	60.9*	59.9*	56
60	84.0	80.1	78.2	73.7*	72.2*	67.2*	64.9*	61.0*	59.6*	57.4*	57.5*	60
64	79.2	75.8	74.2	70.1	68.9	63.8*	61.4*	57.9*	56.7*	54.6*	54.7*	64
68	74.5	71.6	70.5	66.8	65.9	61.1	58.7*	55.2*	53.9*	51.7*	51.7*	68
72	71.2	68.7	67.9	64.5	63.8	58.6	55.8	52.6*	51.6*	49.3*	49.0*	72
76	68.8	66.3	65.4	62.1	61.1	56.4	53.9	50.9	50.0	47.6*	42.9*	76
80	67.1	64.4	63.2	59.7	58.6	54.3	52.2	49.4	48.7	46.2	35.4*	80
84	65.2	62.5	61.4	57.7	56.4	52.8	51.3	48.5	47.6	45.0	27.2*	84
88	63.4	60.6	59.3	55.8	54.5	51.5	50.6	47.6	46.5	38.3	19.5*	88
92	62.0	59.3	58.0	54.1	52.5	49.8	49.2	46.3	42.7	30.8*	12.3*	92
96	60.7	58.2	57.1	53.1	51.3	48.4	47.5	44.8	33.4	22.5*	6.5*	96
100	59.5	56.9	55.7	51.8	50.0	47.0	46.0	43.4	24.7*	15.9*		100
104	57.4	54.9	53.8	50.2	48.6	45.5	44.3	41.6	16.4*	9.5*		104

Notes:

- 1. The rated capacity listed in the table includes the weight of hook, wire rope and other riggings, therefore, the actual rated capacity shall deduct the weight of these components.
- 2. The rated load of the main hook when there's extension jib is the value in the load table deducting 1t as the weight of extension jib.
- 3. Data marked with \* in the table means that the superlift counterweight cannot lift above the ground under this condition.

**Load Chart of HJFJDB Configuration**

SCC6500A Crawler Crane —Load Chart of HJFJDB Configuration 3/3

The main boom length ranges 114 - 144m, the auxiliary boom length is 12m, the main and auxiliary boom included angle is 20°, the overload lifting radius is 19m, overload lifting counterweight is 310t, the rear counterweight is 210t, the center counterweight is 60t

Radius (m)	114	117	120	123	126	129	132	135	138	141	144	Radius (m)
17	118*											17
18	118*	110*	105*	101*								18
19	118*	110*	105*	101*	98.2*	94.1*	90.5*	84.1*				19
20	118*	110*	105*	101*	98.2*	93.8*	90.5*	84.1*	79.3*	74.4*	70.3*	20
22	118*	110*	105*	101*	97.7*	93.8*	90.5*	83.9*	79.1*	74.2*	70.1*	22
24	118*	110*	104*	100.0*	97.6*	93.1*	90.0*	83.6*	78.8*	73.9*	69.7*	24
26	117*	109*	103*	99.2*	97.5*	92.4*	89.1*	83.0*	78.6*	73.6*	69.3*	26
28	116*	108*	102*	98.1*	96.2*	91.2*	88.1*	82.2*	78.0*	73.3*	69.3*	28
30	115*	107*	101*	97.0*	95.0*	90.3*	87.4*	81.5*	77.3*	72.7*	68.9*	30
32	114*	106*	100.0*	95.5*	93.0*	88.9*	86.6*	80.7*	76.4*	72.2*	68.7*	32
34	112*	104*	98.5*	94.3*	92.0*	87.9*	85.6*	79.6*	75.3*	71.4*	68.3*	34
36	110*	102*	96.8*	92.5*	90.0*	86.3*	84.3*	78.4*	74.1*	70.4*	67.5*	36
38	108*	100.0*	94.9*	90.7*	88.4*	84.8*	82.9*	77.2*	73.0*	69.6*	66.8*	38
40	106*	98.6*	93.2*	89.2*	87.0*	83.4*	81.4*	75.8*	71.8*	68.5*	65.8*	40
44	102*	95.0*	89.9*	85.7*	83.3*	80.2*	78.8*	73.5*	69.6*	66.6*	64.2*	44
48	97.0*	91.1*	87.0*	82.1*	80.5*	76.6*	75.8*	70.1*	67.3*	64.4*	62.2*	48
52	92.0*	85.8*	83.0*	78.5*	77.2*	73.1*	71.9*	66.8*	64.5*	61.2*	60.3*	52
56	87.1	81.6*	79.5*	75.0*	73.5*	69.2*	67.8*	63.4*	61.6*	58.7*	58.1*	56
60	82.2	77.3	75.5*	71.3*	70.0*	65.6*	63.9*	59.7*	58.0*	55.9*	56.1*	60
64	77.6	73.3	71.9	68.0*	66.9*	62.4*	60.5*	56.7*	55.2*	53.4*	53.7*	64
68	73.1	69.4	68.6	65.0	64.1	59.8*	57.9*	54.1*	52.5*	50.7*	50.9*	68
72	70.0	66.8	66.4	63.0	62.2	57.5	55.1	51.6*	50.3*	48.3*	48.3*	72
76	67.8	64.6	64.1	60.7	59.7	55.4	53.3	50.1	48.9*	46.7*	46.5*	76
80	66.3	62.9	62.1	58.6	57.4	53.5	51.7	48.8	47.8	45.5	40.5*	80
84	64.6	61.3	60.5	56.8	55.4	52.1	50.9	47.9	46.9	44.4	30.9*	84
88	63.0	59.6	58.6	55.0	53.7	51.0	50.3	47.2	46.0	43.4	23.0*	88
92	61.8	58.5	57.5	53.6	51.9	49.4	49.0	46.0	44.8	34.9*	14.6*	92
96	60.7	57.6	56.8	52.8	50.9	48.2	47.4	44.6	37.6	26.4*	7.6*	96
100	59.5	56.4	55.6	51.6	49.8	46.9	46.0	43.3	28.7*	18.4*		100
104	57.4	54.5	53.8	50.2	48.6	45.5	44.3	41.5	19.0*	10.7*		104

Notes:

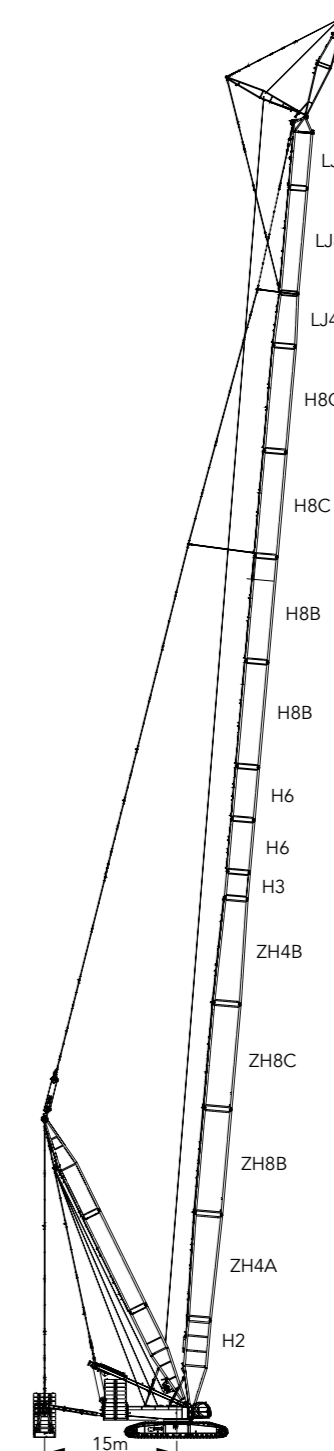
1. The rated capacity listed in the table includes the weight of hook, wire rope and other riggings, therefore, the actual rated capacity shall deduct the weight of these components.
2. The rated load of the main hook when there's extension jib is the value in the load table deducting 1t as the weight of extension jib.
3. Data marked with \* in the table means that the superlift counterweight cannot lift above the ground under this condition.

**HJFJDB\_4 Boom Combination**

HJFJDB\_4 Boom Combination

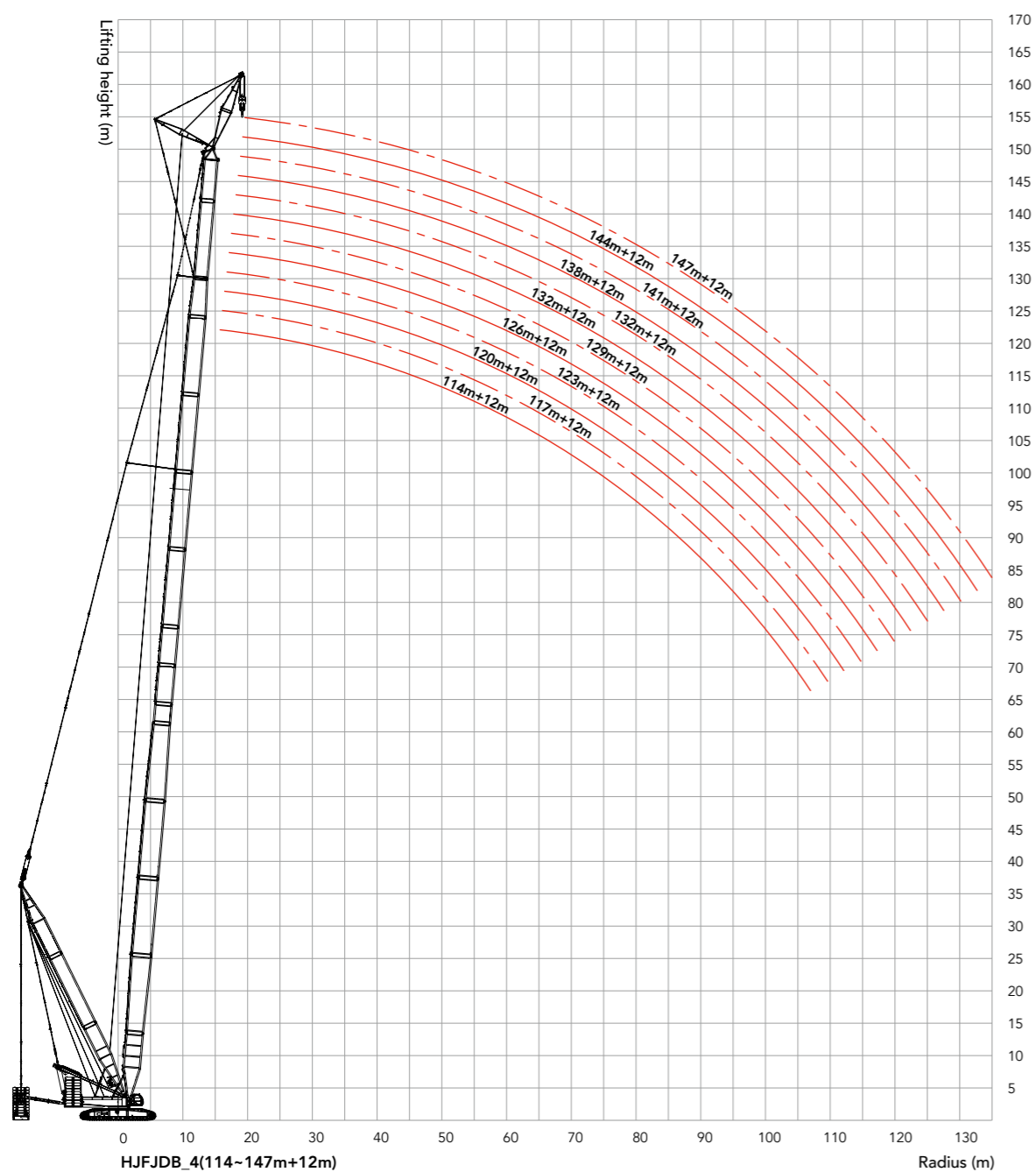
Boom length (m)	Enhancing boom	Middle arm of the boom			Fixed Jib 12m
	12m	3m	6m	12m	
114	2	—	1	2	Fixed Jib 12m
117	2	1	1	2	
120	2	—	2	2	
123	2	1	—	3	
126	2	—	1	3	
29	2	1	1	3	
32	2	—	2	3	
135	2	1	—	4	
138	2	—	1	4	
141	2	1	1	4	
144	2	—	2	4	
147	2	1	2	4	

Notes: The boom base, upper and lower tapered sections of reinforcing boom, 6m tapered section boom, 12m jib insert and jib top are must. The mid-point suspension cable must be used for all boom length from 114m to 147m, otherwise, there is danger of boom breaking.



HJFJDB\_4(114~147m+12m)

**HJFJDB\_4 Work Radius**



**Load Chart of HJFJDB\_4 Configuration**

Unit: t

SCC6500A Crawler Crane - Load Chart of HJFJDB_4 Configuration 1/3													
The main boom length ranges 114 - 147m, the auxiliary boom length is 12m, the main and auxiliary boom included angle is 10°, the overload lifting radius is 19m, overload lifting counterweight is 310t, the rear counterweight is 210t, the center weight is 60t													
Radius (m)	114	117	120	123	126	129	132	135	138	141	144	147	Radius (m)
15	162*												15
16	162*	157*	151*	145*									16
17	162*	157*	151*	145*	135*	130*	125*	119*					17
18	162*	157*	151*	145*	135*	130*	125*	119*	113*	108*	102*	96.9*	18
19	162*	157*	151*	145*	135*	130*	125*	119*	113*	108*	102*	96.5*	19
20	162*	157*	151*	145*	135*	130*	125*	119*	113*	108*	101*	96.5*	20
22	160*	156*	151*	145*	135*	130*	125*	119*	112*	107*	101*	96.2*	22
24	157*	155*	151*	145*	135*	130*	125*	119*	112*	106*	101*	95.9*	24
26	152*	152*	149*	145*	135*	130*	124*	118*	111*	105*	100*	95.7*	26
28	146*	147*	146*	144*	135*	130*	124*	118*	111*	105*	99.9*	95.5*	28
30	141*	142*	142*	142*	134*	129*	123*	118*	110*	105*	99.6*	95.2*	30
32	136*	137*	138*	139*	134*	129*	123*	117*	109*	105*	99.2*	94.9*	32
34	130*	131*	132*	135*	133*	128*	122*	116*	108*	104*	98.9*	94.7*	34
36	125*	126*	127*	130*	131*	127*	121*	115*	107*	103*	98.4*	94.2*	36
38	120*	121*	123*	125*	127*	125*	120*	114*	106*	102*	97.8*	93.2*	38
40	116*	117*	119*	121	122	122	118*	113*	105*	101*	96.8*	91.5*	40
44	110	111	113	114	115	115	113	110	104	99.4*	95.1*	88.8*	44
48	105	106	107	108	109	111	109	106	102	97.4	93.3	86.5*	48
52	100	101	102	103	104	106	105	102	99.5	95.4	91.3	85.1	52
56	95.1	96.8	97.6	99.1	99.9	101	102	99.7	97.5	93.9	88.9	83.3	56
60	91.1	92.8	93.6	95	95.9	97	98.5	97.5	94.6	91.5	86.3	81.5	60
64	88	89.1	89.9	91	92.3	94	95.5	94.2	91.6	89.9	84.4	79.9	64
68	84.5	85.7	86.5	87.6	88.9	90	91	89.5	87	86.1	81.7	77.8	68
72	81	82.7	83.4	84.3	85.4	84.3	83.5	82.2	80.5	80.9	77.5	74.6	72
76	77.9	79.2	79.8	78.8	78.8	77.8	77.1	75.8	74.1	74.6	71.6	69.6	76
80	74.9	74.7	73.9	72.9	73	71.9	71.2	70	68.4	68.8	65.1	64.4	80
84	71.1	69.4	68.6	67.6	67.6	66.6	65.9	64.7	63.3	61.5	60	58.2	84
88	66.2	64.5	63.8	62.7	62.8	61.8	61.1	59.9	58.6	55.7	55.2	53.8	88
92	61.7	60.1	59.3	57.4	56.9	57.2	56.6	55.4	54.1	50.5	50.6	49.3	92
96	57.6	55.8	54.9	52.7	52.9	51.9	51.2	50.1	49.2	46.7	46.5	45.2	96
100	53.8	50.9	50.1	49.1	49.3	48.3	47.5	46.5	45.6	43.3	42.6	41.2	100
104	50.3	47.4	46.8	45.7	45.9	44.9	44.2	43.1	42.4	40.1	38.8	37.6	104
108	47	44.4	43.6	42.6	42.8	41.8	41	40	39.3	37.1	35.4	34	108
112	44	41.4	40.7	39.7	39.9	38.9	38.1	37.1	36.4	34.4	32.2	30.7	112

Notes:

1. The rated capacity listed in the table includes the weight of hook, wire rope and other riggings, therefore, the actual rated capacity shall deduct the weight of these components.
2. The rated load of the main hook when there's extension jib is the value in the load table deducting 1t as the weight of extension jib.
3. Data marked with \* in the table means that the superlift counterweight cannot lift above the ground under this condition.





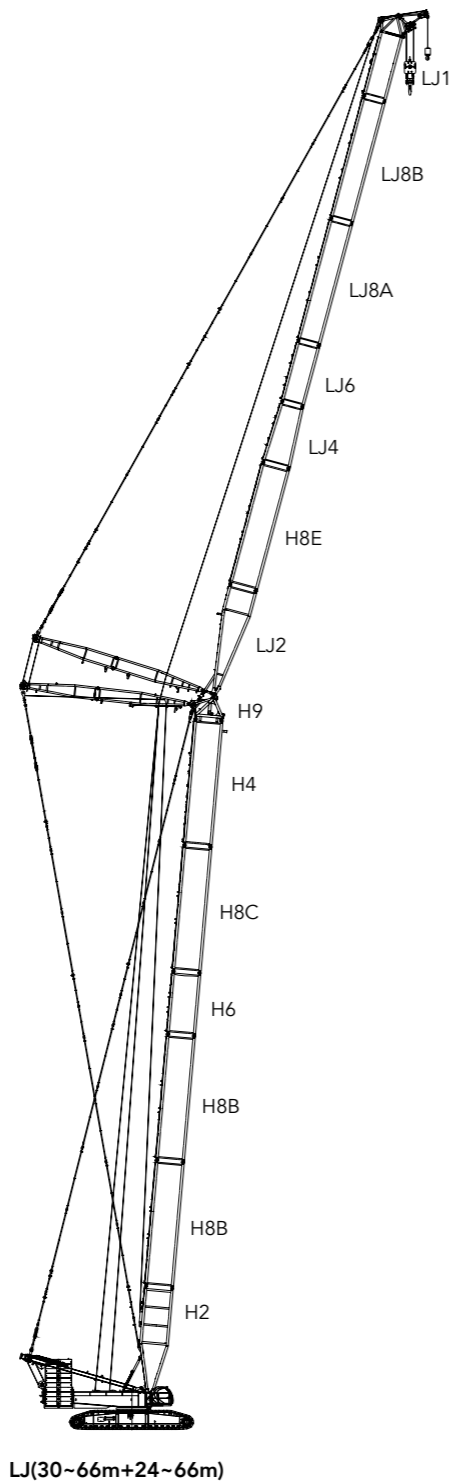
**LJ Boom Combination**

LJ Boom Combination				
Boom length (m)	Boom insert		Jib insert	
	12m	6m	12m	
24	—	—	—	—
30	—	1	—	—
36	1	—	—	—
42	1	1	—	—
48	1	2	—	—
54	1	1	1	—
60	1	2	1	—
66	1	1	2	—
72	1	2	2	—
78	1	1	3	—
84	1	2	3	—
90*	1	1	4	—
96*	1	2	4	—

Notes: configuration of main boom and working condition of main boom are consistent to each other.

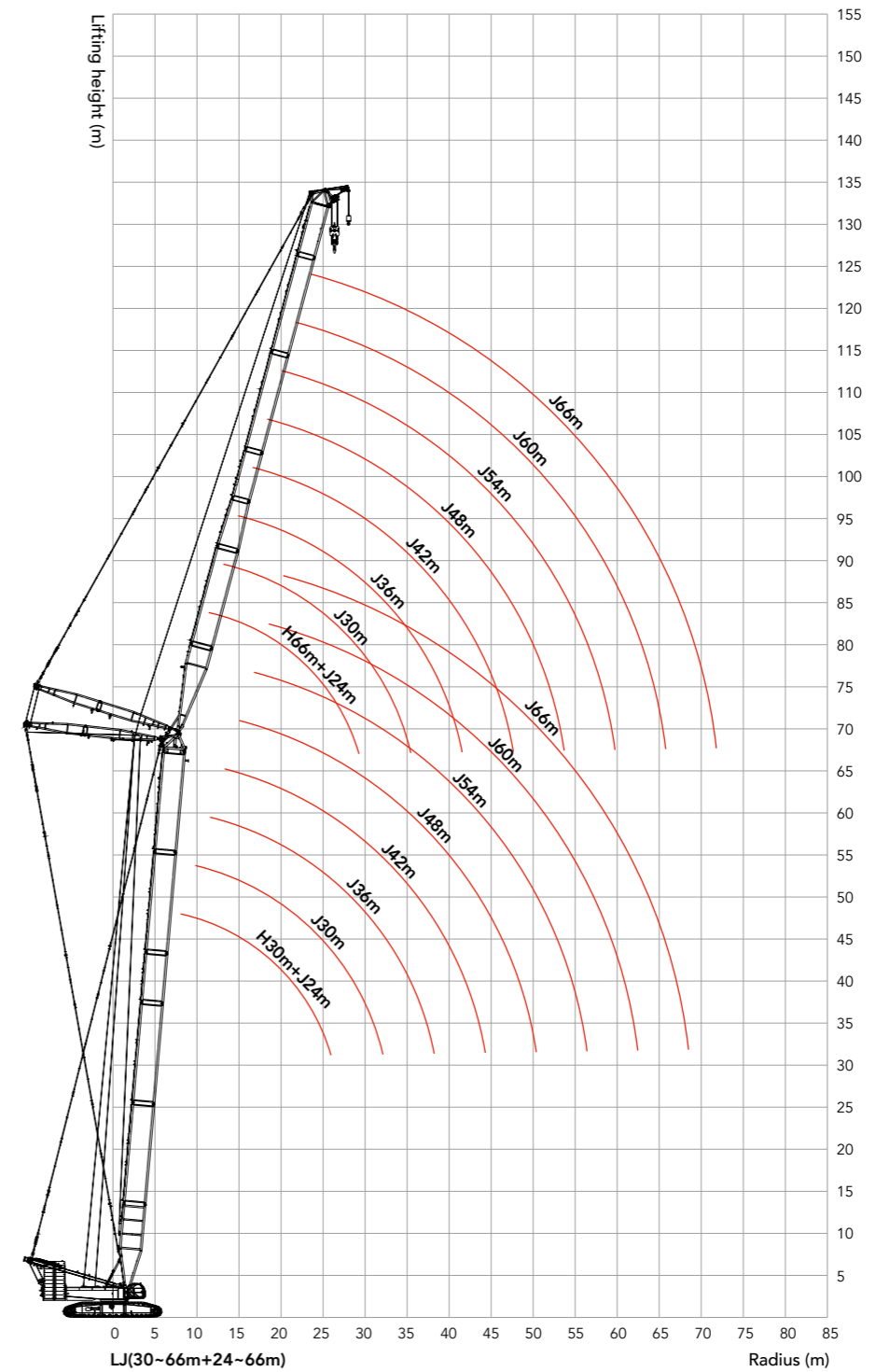
In the jib configuration: jib base, 6m tapered section and jib upper boom are must.

\* indicates the mid-point suspension cable must be adopted for the boom, otherwise, there is danger of boom breaking.



LJ(30~66m+24~66m)

**LJ Work Radius**



### Load Chart of LJ Configuration

SCC6500A Crawler Crane - Load Chart of LJ Configuration 1/7														
Main boom 30m, main boom angle 85° , jib length 24-96m, rear counterweight 210t and center counterweight 60t														
Radius (m)	24	30	36	42	48	54	60	66	72	78	84	90	96	Radius (m)
13	270													13
14	250	240												14
15	233	224												15
16	219	210	202											16
17	206	198	190											17
18	194	187	180	173										18
19	183	177	171	164	159									19
20	174	168	162	156	151									20
22	158	152	147	142	137	133	128							22
24	144	139	134	130	125	122	118	114						24
26	131	128	124	119	115	112	108	105	102					26
28	119	119	114	110	107	104	100	97.5	94.3	91.7	88.5			28
30		109	106	102	99.1	96.2	93	90.6	87.5	85.1	82.1	79.8		30
32		99.8	98.9	95.6	92.4	89.7	86.7	84.4	81.5	79.2	76.4	74.2	71.5	32
34		91.9	91.3	89.5	86.4	83.9	81	78.9	76.1	74	71.3	69.2	66.6	34
36			84.7	83.5	81.1	78.7	76	73.9	71.3	69.3	66.7	64.7	62.2	36
38			78.7	77.6	76.3	74	71.4	69.5	66.9	65	62.5	60.6	58.2	38
40				72.4	71.4	69.7	67.2	65.4	62.9	61.1	58.7	56.9	54.5	40
44				63.5	62.6	61.9	59.9	58.2	55.9	54.2	52	50.3	48.1	44
48					55.3	54.7	53.6	52.2	50	48.4	46.3	44.7	42.6	48
52						48.6	47.6	47	44.9	43.4	41.4	39.9	37.8	52
56						43.3	42.4	41.9	40.5	39.1	37.1	35.7	33.7	56
60							37.9	37.5	36.4	35.3	33.4	32	30.1	60
64								33.6	32.6	31.9	30.1	28.7	26.8	64
68								30.2	29.2	28.6	27.1	25.8	24	68
72									26.1	25.6	24.5	23.2	21.4	72
76										22.9	21.8	20.8	19	76
80										20.4	19.4	18.6	16.9	80
84											17.2	16.6	15	84
88												14.6	13.2	88
92												12.7	11.6	92
96													10	96

### Load Chart of LJ Configuration

SCC6500A Crawler Crane - Load Chart of LJ Configuration 2/7														
Main boom 36m, main boom angle 85° , jib length 24-96m, rear counterweight 210t and center counterweight 60t														
Radius (m)	24	30	36	42	48	54	60	66	72	78	84	90	96	Radius (m)
13	257													13
14	239													14
15	223	214												15
16	209	201	194											16
17	197	190	183											17
18	186	179	173	166										18
19	176	170	164	158										19
20	168	162	156	150	145									20
22	152	147	142	137	132	128								22
24	139	134	130	125	121	117	113	110						24
26	128	124	120	115	111	108	105	102	98.2					26
28	118	115	111	107	103	100	96.7	94.1	90.9	88.3				28
30		107	103	99.2	95.8	93	89.9	87.5	84.4	82	79.1	76.8		30
32		99.3	96.2	92.6	89.4	86.8	83.8	81.5	78.7	76.4	73.6	71.4	68.7	32
34		91.5	90.2	86.7	83.7	81.2	78.4	76.2	73.5	71.4	68.7	66.6	64	34
36			84.2	81.4	78.5	76.2	73.5	71.5	68.8	66.8	64.3	62.3	59.8	36
38			78.3	76.7	73.9	71.7	69	67.1	64.6	62.7	60.2	58.3	55.9	38
40			73	72	69.7	67.6	65	63.2	60.8	58.9	56.6	54.7	52.4	40
44				63.1	62.2	60.4	58	56.3	54	52.3	50.1	48.4	46.2	44
48					54.9	54.3	52.1	50.5	48.3	46.7	44.6	43	40.9	48
52						48.3	47	45.5	43.4	41.9	39.8	38.3	36.3	52
56						43	42.1	41.2	39.1	37.7	35.7	34.2	32.3	56
60							37.6	37.2	35.4	34	32	30.6	28.7	60
64								33.4	32.1	30.7	28.8	27.5	25.6	64
68								29.9	28.9	27.8	26	24.6	22.8	68
72									25.9	25.2	23.4	22.1	20.3	72
76										22.7	21.1	19.8	18	76
80										20.2	18.9	17.7	16	80
84											17	15.8	14.1	84
88												14.1	12.3	88
92												12.5	10.8	92
96													9.3	96

**Load Chart of LJ Configuration**

SCC6500A Crawler Crane - Load Chart of LJ Configuration 3/7														
Main boom 42m, main boom angle 85° , jib length 24-96m, rear counterweight 210t and center counterweight 60t														
Radius (m)	24	30	36	42	48	54	60	66	72	78	84	90	96	Radius (m)
14	228													14
15	213	205												15
16	200	193												16
17	189	182	175											17
18	179	172	166											18
19	169	163	158	152										19
20	161	155	150	144	139									20
22	147	142	137	131	127	123								22
24	134	130	125	121	116	113	109							24
26	124	120	115	111	107	104	101	97.9	94.5					26
28	115	111	107	103	99.5	96.5	93.2	90.7	87.5	84.9				28
30		103	99.6	95.8	92.5	89.8	86.7	84.3	81.3	78.9	76			30
32		96.7	93.1	89.5	86.4	83.8	80.8	78.6	75.7	73.5	70.8	68.6		32
34		90.9	87.3	83.8	80.9	78.4	75.6	73.5	70.8	68.7	66.1	64	61.4	34
36			82.2	78.8	75.9	73.6	70.9	68.9	66.3	64.3	61.8	59.8	57.3	36
38			77.5	74.2	71.5	69.3	66.7	64.8	62.3	60.4	57.9	56	53.6	38
40			72.5	70.1	67.4	65.3	62.8	61	58.6	56.7	54.4	52.5	50.2	40
44				62.6	60.4	58.4	56	54.4	52	50.4	48.1	46.4	44.2	44
48					54.4	52.5	50.3	48.7	46.5	44.9	42.8	41.2	39.1	48
52					48.3	47.5	45.3	43.9	41.8	40.3	38.2	36.7	34.7	52
56						42.7	41.1	39.7	37.6	36.2	34.2	32.7	30.8	56
60							37.3	36	34	32.6	30.7	29.3	27.4	60
64							33.3	32.7	30.8	29.5	27.6	26.2	24.3	64
68								29.6	27.9	26.6	24.8	23.4	21.6	68
72									25.4	24.1	22.3	21	19.2	72
76										21.8	20	18.7	17	76
80										19.7	17.9	16.7	15	80
84											16.1	14.8	13.1	84
88												13.1	11.4	88
92													11.6	92
96														96

**Load Chart of LJ Configuration**

SCC6500A Crawler Crane - Load Chart of LJ Configuration 4/7														
Main boom 48m, main boom angle 85° , jib length 24-96m, rear counterweight 210t and center counterweight 60t														
Radius (m)	24	30	36	42	48	54	60	66	72	78	84	90	96	Radius (m)
14	217													14
15	204													15
16	192	185												16
17	181	174												17
18	171	165	159											18
19	163	157	151	146										19
20	155	149	144	139										20
22	141	136	131	126	122	118								22
24	130	125	121	116	112	109	105							24
26	120	116	111	107	103	100	96.9	94.1						26
28	111	107	103	99.4	95.9	93	89.8	87.2	84.1	81.6				28
30		99.9	96.3	92.5	89.3	86.6	83.5	81.2	78.2	75.8	73			30
32		93.5	90	86.5	83.4	80.8	77.9	75.7	72.9	70.7	67.9	65.8		32
34		87.9	84.5	81	78.1	75.7	72.9	70.8	68.1	66.1	63.4	61.4	58.8	34
36			79.5	76.2	73.4	71.1	68.4	66.4	63.8	61.9	59.3	57.4	54.9	36
38			75	71.8	69.1	66.9	64.3	62.4	59.9	58	55.6	53.7	51.3	38
40			71	67.8	65.2	63.1	60.6	58.8	56.3	54.5	52.2	50.4	48	40
44				60.9	58.4	56.4	54	52.4	50.1	48.4	46.2	44.5	42.3	44
48					52.6	50.7	48.5	46.9	44.7	43.2	41	39.4	37.3	48
52					47.7	45.9	43.7	42.3	40.1	38.6	36.6	35.1	33	52
56						41.7	39.6	38.2	36.1	34.7	32.7	31.3	29.3	56
60							35.9	34.6	32.6	31.2	29.3	27.9	26	60
64							32.8	31.4	29.5	28.2	26.3	24.9	23	64
68								28.6	26.7	25.4	23.6	22.2	20.4	68
72									24.2	23	21.1	19.8	18	72
76									22	20.7	18.9	17.7	15.9	76
80										18.7	16.9	15.7	13.9	80
84											15.1	13.9	12.1	84
88												12.2	10.5	88
92												10.7	9	92
96													7.6	96

**Load Chart of LJ Configuration**

SCC6500A Crawler Crane - Load Chart of LJ Configuration 5/7														
Main boom 54m, main boom angle 85° , jib length 24-96m, rear counterweight 210t and center counterweight 60t														
Radius (m)	24	30	36	42	48	54	60	66	72	78	84	90	96	Radius (m)
15	194													15
16	183													16
17	173	167												17
18	164	158	152											18
19	156	151	145											19
20	149	143	138	133										20
22	136	131	126	121	117									22
24	125	120	116	112	108	104	101							24
26	115	111	107	103	99.5	96.4	93	90.3						26
28	107	103	99.6	95.7	92.3	89.4	86.2	83.7	80.6					28
30	100	96.4	92.8	89.1	85.9	83.3	80.2	77.9	74.9	72.7	69.8			30
32		90.3	86.9	83.3	80.3	77.8	74.9	72.7	69.9	67.7	65	62.9		32
34		84.8	81.5	78.1	75.2	72.8	70.1	68	65.3	63.3	60.7	58.6	56.1	34
36		80.1	76.7	73.5	70.7	68.4	65.7	63.8	61.2	59.3	56.7	54.8	52.3	36
38			72.4	69.2	66.5	64.4	61.8	60	57.5	55.6	53.2	51.3	48.9	38
40			68.5	65.4	62.8	60.7	58.2	56.5	54	52.3	49.9	48.1	45.8	40
44				58.7	56.2	54.3	51.9	50.3	48	46.3	44.1	42.4	40.2	44
48					50.7	48.8	46.6	45.1	42.9	41.3	39.2	37.6	35.5	48
52					46	44.1	42	40.5	38.4	36.9	34.9	33.4	31.3	52
56						40.1	38	36.6	34.6	33.1	31.1	29.7	27.7	56
60							34.5	33.1	31.1	29.8	27.8	26.4	24.5	60
64								31.4	30.1	28.1	26.8	24.9	23.5	64
68									27.4	25.4	24.1	22.3	21	68
72										23	21.8	19.9	18.6	72
76											20.8	19.6	17.8	76
80												17.6	15.8	80
84													14.1	84
88														88
92														92
96														96

**Load Chart of LJ Configuration**

SCC6500A Crawler Crane - Load Chart of LJ Configuration 6/7														
Main boom 60m, main boom angle 85° , jib length 24-96m, rear counterweight 210t and center counterweight 60t														
Radius (m)	24	30	36	42	48	54	60	66	72	78	84	90	96	Radius (m)
15	185													15
16	175													16
17	166	159												17
18	157	151												18
19	149	144	139											19
20	142	137	132	127										20
22	130	126	121	116	112									22
24	120	116	111	107	103	100								24
26	111	107	103	99	95.4	92.4	89	86.4						26
28	103	99.4	95.8	91.9	88.6	85.8	82.6	80.1	77.1					28
30	96.3	92.8	89.3	85.7	82.5	79.9	76.9	74.6	71.7	69.4				30
32		86.9	83.6	80.1	77.1	74.6	71.8	69.6	66.8	64.7	62			32
34		81.7	78.5	75.1	72.3	69.9	67.2	65.2	62.5	60.5	57.9	55.8	53.3	34
36		77.1	73.9	70.7	67.9	65.7	63	61.1	58.5	56.6	54.1	52.2	49.7	36
38			69.8	66.6	64	61.8	59.3	57.5	54.9	53.1	50.7	48.8	46.4	38
40			66	62.9	60.4	58.3	55.8	54.1	51.7	49.9	47.5	45.7	43.4	40
44				56.5	54.1	52.1	49.8	48.2	45.9	44.2	42	40.3	38.1	44
48					51.1	48.7	46.9	44.6	43.1	40.9	39.4	37.2	35.6	48
52						44.1	42.4	40.2	38.8	36.7	35.2	33.1	31.6	52
56							38.4	36.3	35	32.9	31.5	29.5	28	56
60								32.9	31.6	29.6	28.3	26.3	24.9	60
64									29.9	28.7	26.7	25.4	23.5	64
68										26	24.1	22.8	20.9	68
72											21.7	20.5	18.7	72
76												19.6	18.4	76
80													16.5	80
84														84
88														88
92														92
96														96

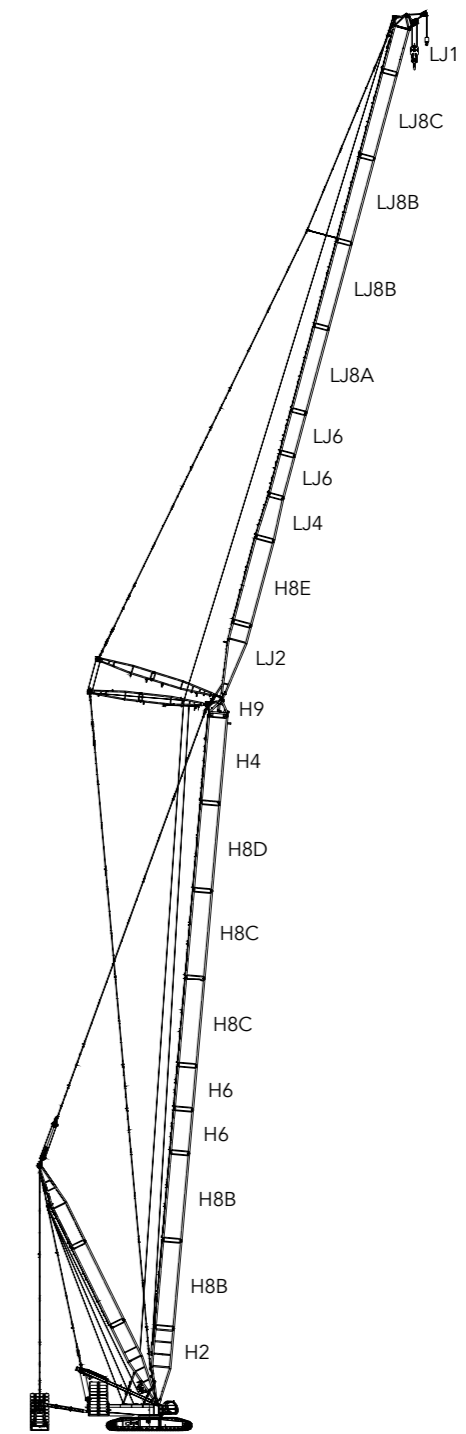
**Load Chart of LJ Configuration**

SCC6500A Crawler Crane - Load Chart of LJ Configuration 7/7									
Main boom 66m, main boom angle 85°, jib length 24-66m, rear counterweight 210t and center counterweight 60t									
Radius (m)	24	30	36	42	48	54	60	66	Radius (m)
16	167								16
17	158								17
18	150	145							18
19	143	138	133						19
20	137	132	127						20
22	125	121	116	112	108				22
24	115	111	107	103	99	95.8			24
26	107	103	99.1	95.1	91.6	88.6	85.3		26
28	99.3	95.7	92.2	88.4	85.1	82.3	79.1	76.8	28
30	92.8	89.4	86	82.4	79.3	76.7	73.7	71.5	30
32		83.8	80.6	77.1	74.1	71.7	68.8	66.7	32
34		78.8	75.7	72.3	69.5	67.2	64.4	62.5	34
36		74.3	71.2	68	65.3	63.1	60.5	58.6	36
38			67.3	64.1	61.5	59.4	56.8	55	38
40			63.6	60.6	58.1	56	53.6	51.8	40
44				54.4	52	50.1	47.7	46.1	44
48				49.2	46.8	45	42.8	41.3	48
52					42.4	40.6	38.5	37.1	52
56						36.8	34.8	33.4	56
60						33.5	31.5	30.2	60
64							28.6	27.3	64
68								24.7	68

**LJDB Boom Combination**

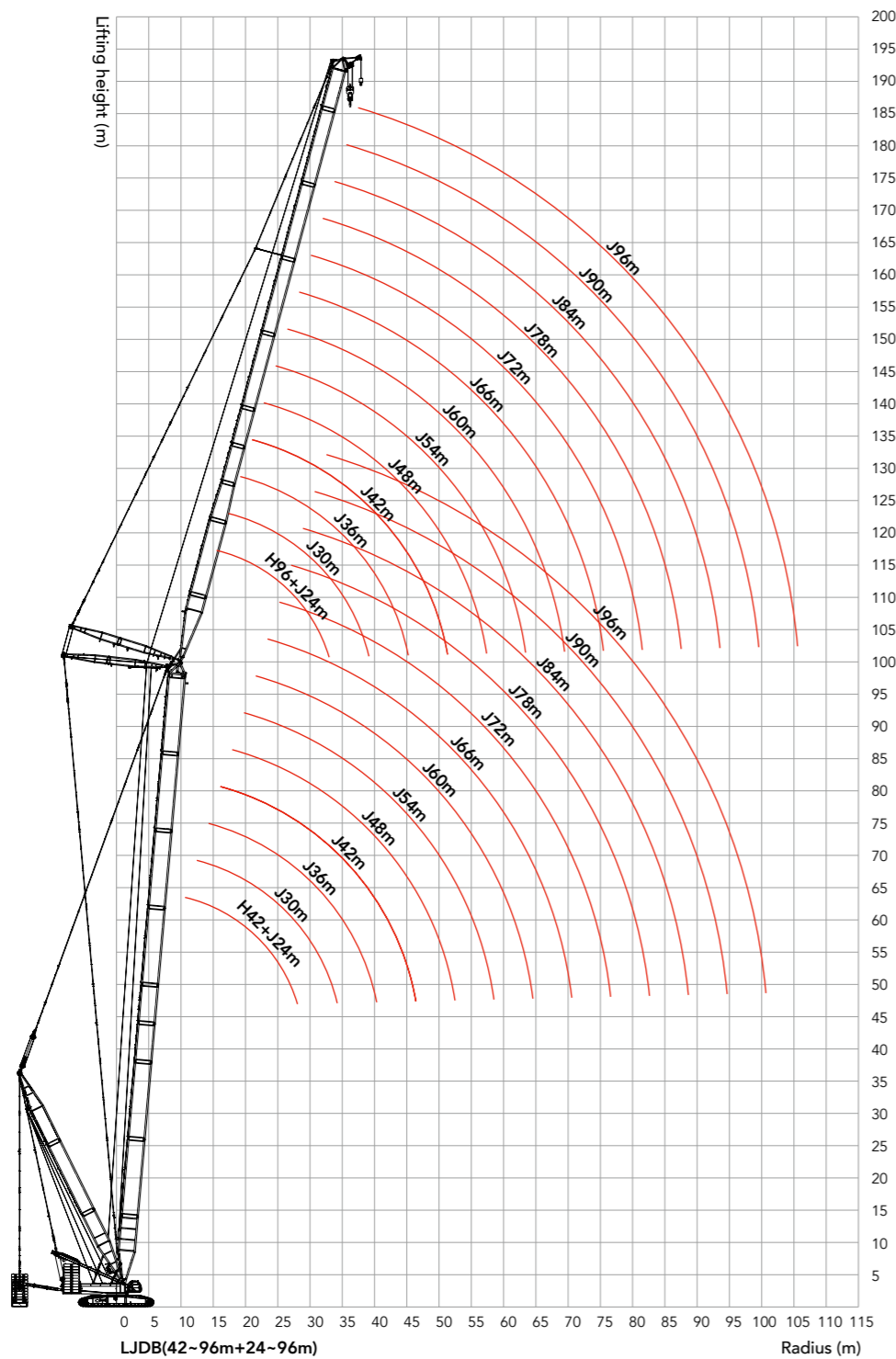
LJDB Boom Combination			
Boom length (m)	Boom insert	Jib insert	
	12m	6m	12m
24	—	—	—
30	—	1	—
36	1	—	—
42	1	—	—
48	1	—	1
54	1	1	—
60	1	1	1
66	1	2	—
72	1	2	1
78	1	3	1
84	1	3	2
90*	1	4	1
96*	1	4	2

Notes: configuration of main boom and working condition of main boom are consistent to each other.  
In the jib configuration: jib base, 6m tapered section and jib top are must.  
\* indicates the mid-point suspension cable must be adopted for the boom, otherwise, there is danger of boom breaking.



LJDB(42~96m+24~96m)

**LJDB Work Radius**



**Load Chart of LJDB Configuration**

Unit: t

SCC6500A Crawler Crane - Load Chart of LJDB Configuration 1/10														
Main boom 42m, main boom angle 85°, jib length 24-96m, lifting mast 36m, lifting radius 19m, lifting counterweight 310t, rear counterweight 210t and center counterweight 60t														
Radius (m)	24	30	36	42	48	54	60	66	72	78	84	90	96	Radius (m)
14	350*													14
16	350*	350*												16
18	330*	330*	292*											18
20	321	321	283*	260*	220*									20
22	306	303	273*	245*	210*	180*								22
24	267	273	258*	235*	205*	178*	151*							24
26	226*	243	240	227*	200*	173*	148*	128*	110*					26
28	189*	218*	218*	215*	195*	168*	146*	125*	108*	91.6*				28
30		191*	199*	200	188*	162*	144*	124*	106*	90.4*	77.5*			30
32		165*	180*	181*	180*	157*	142*	123*	105*	88.2*	76.6*	65.4*		32
34		141*	165*	166*	166*	151*	141*	121*	104*	86.2*	75.5*	64.2*	53.5*	34
36			155*	153*	152*	145*	138*	119*	103*	85.1*	74.2*	63.3*	52.5*	36
38			143*	142*	141*	136*	135*	117*	102*	83.8*	73.3*	62.1*	51.2*	38
40			126*	133*	131*	131*	129*	115*	101*	82.7*	72.1*	61.4*	50.1*	40
44				115*	116*	115*	112*	108*	99.2*	81.6*	70.9*	60.2*	48.6*	44
48					101*	103*	100.0*	97.7*	95.8*	78.5*	69.5*	59.5*	47.2*	48
52					85.2*	91.1*	90.5*	88.2*	90.3*	77.2*	65.8*	56.9*	45.1*	52
56						78.3*	80.4*	78.6*	78.8*	73.4*	64.7*	55.5*	43.8*	56
60							70.8*	73.4*	71.5*	69.2*	63.4*	51.1*	41.9*	60
64							59.9*	65.3*	64.7*	63.3*	56.8*	45.6*	38.0*	64
68								56.7*	60.4*	57.6*	52.2*	41.1*	33.3*	68
72									51.9*	52.8*	46.9*	37.2*	29.1*	72
76										48.3*	43.1*	33.3*	25.4*	76
80										42.1*	39.2*	29.2*	22.2*	80
84											35.2*	26.4*	19.2*	84
88												23.5*	16.7*	88
92												21.2*	14.1*	92
96													11.4*	96

**Load Chart of LJDB Configuration**

SCC6500A Crawler Crane - Load Chart of LJDB Configuration 2/10														
Main boom 48m, main boom angle 85°, jib length 24-96m, lifting mast 36m, lifting radius 19m, lifting counterweight 310t, rear counterweight 210t and center counterweight 60t														
Radius (m)	24	30	36	42	48	54	60	66	72	78	84	90	96	Radius (m)
14	350*													14
16	350*	320*												16
18	322*	310*	265*											18
20	320	300*	261*	227*										20
22	310	287	253*	223*	193*	166*								22
24	265	272	246*	217*	190*	165*	141*							24
26	225*	245	240	212*	186*	163*	140*	120*						26
28	190*	215*	223	207*	182*	158*	137*	118*	101*	85.6*				28
30		190*	205	199	177*	155*	136*	117*	100.0*	84.2*	73.6*			30
32		165*	187	185	171*	147*	134*	116*	99.3*	83.1*	72.2*	62.5*		32
34		140*	172*	171*	165*	144*	133*	114*	98.2*	82.3*	71.3*	61.3*	51.4*	34
36			160*	158*	155*	139*	131*	112*	95.9*	81.1*	70.4*	60.1*	50.5*	36
38			145*	146*	145*	133*	129*	110*	95.1*	80.1*	69.1*	59.4*	49.6*	38
40			125*	136*	135*	130*	124*	108*	93.3*	77.9*	67.8*	58.1*	48.4*	40
44				115*	118*	116*	115*	105*	90.8*	76.5*	67.2*	56.9*	47.2*	44
48					103*	105*	105*	101*	89.5*	75.2*	65.5*	55.4*	45.2*	48
52					82.5*	91.3*	90.9*	90.2*	86.2*	72.9*	64.1*	54.1*	44.3*	52
56						79.9*	82.6*	81.1*	77.8*	70.8*	60.8*	52.7*	42.1*	56
60							72.8*	74.8*	72.9*	69.1*	59.7*	51.6*	41.4*	60
64							60.1*	65.9*	65.5*	65.2*	58.1*	46.3*	38.2*	64
68								58.2*	60.3*	59.6*	51.6*	42.2*	33.2*	68
72									54.6*	55.2*	47.2*	37.3*	30.1*	72
76									40.9*	49.6*	42.5*	32.8*	26.1*	76
80										39.7*	39.1*	29.1*	22.4*	80
84											34.7*	25.8*	19.6*	84
88												23.7*	17.0*	88
92												21.1*	14.5*	92
96													12.3*	96

**Load Chart of LJDB Configuration**

SCC6500A Crawler Crane - Load Chart of LJDB Configuration 3/10														
Main boom 54m, main boom angle 85°, jib length 24-96m, lifting mast 36m, lifting radius 19m, lifting counterweight 310t, rear counterweight 210t and center counterweight 60t														
Radius (m)	24	30	36	42	48	54	60	66	72	78	84	90	96	Radius (m)
16	350*													16
18	323*	290*	265*											18
20	305*	280*	255*	213*										20
22	288	265*	240*	210*	190*									22
24	273	253*	231*	205*	180*	160*	135*							24
26	238	241	223*	200*	177*	155*	133*	115*						26
28	200*	223	215*	195*	173*	151*	131*	112*	96.6*					28
30	163*	196*	206	190*	168*	146*	129*	111*	95.4*	81.1*	70.4*			30
32		172*	195	183*	163*	142*	128*	110*	94.5*	79.6*	69.3*	60.6*		32
34		147*	183	175	159*	138*	125*	108*	93.3*	78.5*	68.1*	59.4*	49.6*	34
36		123*	166	165	153*	133*	124*	107*	91.9*	77.9*	67.2*	58.5*	48.2*	36
38			152*	156	148*	130*	122*	105*	90.7*	77.1*	66.3*	57.2*	47.1*	38
40			132*	145	141	125*	119*	102*	89.6*	76.3*	65.2*	56.1*	46.3*	40
44				120*	124*	116*	116*	99.1*	87.1*	75.2*	64.1*	55.3*	45.1*	44
48					106*	106*	108*	95.3*	85.3*	73.4*	63.2*	53.9*	44.2*	48
52					85.3*	95.5*	95.9*	90.8*	80.6*	71.1*	62.1*	52.3*	42.5*	52
56						80.8*	84.7*	85.1*	79.2*	69.2*	60.4*	51.1*	41.2*	56
60							73.1*	75.7*	74.1*	66.5*	58.3*	50.4*	39.8*	60
64								62.5*	67.6*	67.5*	65.2*	55.9*	47.0*	64
68									58.2*	60.6*	60.2*	53.1*	42.3*	68
72										54.8*	54.3*	48.2*	38.1*	72
76										45.9*	45.7*	43.4*	34.0*	76
80											42.5*	39.5*	30.2*	80
84												36.1*	26.8*	84
88													32.6*	88
92													21.3*	92
96														96

**Load Chart of LJDB Configuration**

SCC6500A Crawler Crane - Load Chart of LJDB Configuration 4/10														
Main boom 60m, main boom angle 85°, jib length 24-96m, lifting mast 36m, lifting radius 19m, lifting counterweight 310t, rear counterweight 210t and center counterweight 60t														
Radius (m)	24	30	36	42	48	54	60	66	72	78	84	90	96	Radius (m)
16	300*													16
18	292*	262*												18
20	273*	250*	230*	200*										20
22	260*	238*	220*	192*	170*									22
24	245*	227*	210*	186*	165*	145*								24
26	231*	218*	205*	182*	161*	141*	123*	110*						26
28	210*	207*	192*	178*	157*	139*	121*	106*	92.5*					28
30	175*	197*	185*	170*	155*	136*	119*	104*	90.1*	76.8*				30
32		180*	175*	165*	151*	133*	118*	103*	88.0*	75.4*	65.1*			32
34		155*	170*	158*	147*	129*	115*	101*	87.4*	74.2*	64.2*	55.5*	46.7*	34
36		130*	160*	153*	141*	126*	114*	98.8*	86.2*	73.3*	63.3*	54.2*	45.2*	36
38			150*	148*	138*	121*	112*	97.5*	85.1*	72.2*	62.2*	52.8*	44.4*	38
40			138*	138*	132*	117*	110*	96.1*	84.4*	71.2*	61.5*	53.3*	43.6*	40
44				120*	118*	111*	98.1*	92.2*	82.2*	68.9*	60.4*	52.4*	42.1*	44
48				96.2*	104*	102*	88.5*	89.1*	78.8*	67.8*	58.7*	51.6*	41.4*	48
52					90.5*	80.4*	78.9*	84.8*	76.5*	66.5*	57.1*	50.5*	40.3*	52
56						78.9*	70.3*	77.5*	73.4*	65.4*	55.4*	48.5*	38.5*	56
60							63.2*	69.1*	67.4*	63.2*	54.3*	47.4*	37.4*	60
64							61.5*	63.0*	61.1*	60.0*	53.2*	46.6*	36.1*	64
68								56.4*	56.1*	54.3*	51.4*	41.9*	34.6*	68
72									50.3*	49.4*	48.2*	38.3*	30.3*	72
76									45.1*	45.2*	44.1*	34.4*	25.9*	76
80										40.9*	39.3*	30.2*	23.6*	80
84											35.9*	27.2*	20.2*	84
88												32.8*	24.4*	88
92													21.8*	92
96														96
100														100

**Load Chart of LJDB Configuration**

SCC6500A Crawler Crane - Load Chart of LJDB Configuration 5/10														
Main boom 66m, main boom angle 85°, jib length 24-96m, lifting mast 36m, lifting radius 19m, lifting counterweight 310t, rear counterweight 210t and center counterweight 60t														
Radius (m)	24	30	36	42	48	54	60	66	72	78	84	90	96	Radius (m)
16	270*													16
18	261*	235*												18
20	250*	230*	208*											20
22	235*	215*	199*	180*	155*									22
24	221*	206*	190*	173*	150*	132*								24
26	210*	200*	185*	169*	147*	130*	115*							26
28	200*	188*	175*	161*	143*	128*	112*	101*	88.7*					28
30	182*	178*	168*	155*	140*	124*	110*	98.6*	85.4*	75.4*				30
32		171*	161*	149*	136*	122*	108*	95.2*	83.2*	72.1*	62.5*			32
34		160*	153*	140*	132*	120*	107*	93.1*	82.1*	70.8*	61.3*	52.4*		34
36		135*	146*	138*	128*	117*	106*	92.3*	79.8*	69.5*	60.5*	51.1*	43.6*	36
38			138*	132*	124*	114*	104*	90.2*	78.2*	68.4*	59.2*	50.6*	42.4*	38
40			129*	126*	119*	111*	102*	89.4*	77.6*	67.1*	58.3*	49.3*	41.3*	40
44				110*	107*	104*	98.4*	84.8*	75.4*	66.6*	57.1*	48.2*	40.2*	44
48				94.8*	94.3*	92.1*	89.3*	82.2*	73.2*	64.3*	55.6*	47.4*	39.4*	48
52					82.8*	81.9*	79.9*	78.2*	68.3*	62.2*	53.5*	46.4*	38.5*	52
56						72.8*	71.2*	70.4*	65.9*	61.5*	51.8*	45.7*	36.6*	56
60							65.1*	63.8*	62.5*	61.5*	59.3*	50.6*	44.6*	60
64								57.1*	56.8*	55.5*	54.4*	49.4*	43.5*	64
68									51.4*	50.6*	48.8*	47.3*	42.2*	68
72										45.4*	45.3*	43.3*	37.8*	72
76											40.9*	40.5*	39.9*	76
80												37.3*	36.5*	80
84													32.8*	84
88														88
92														92
96														96
100														100



**Load Chart of LJDB Configuration**

SCC6500A Crawler Crane - Load Chart of LJDB Configuration 6/10														
Main boom 72m, main boom angle 85°, jib length 24-96m, lifting mast 36m, lifting radius 19m, lifting counterweight 310t, rear counterweight 210t and center counterweight 60t														
Radius (m)	24	30	36	42	48	54	60	66	72	78	84	90	96	Radius (m)
18	235*	210*												18
20	222*	200*	180*											20
22	212*	193*	175*	159*										22
24	202*	187*	169*	155*	137*	119*								24
26	192*	180*	163*	147*	136*	117*	104*							26
28	183*	171*	158*	143*	130*	115*	102*	92.6*						28
30	175*	165*	152*	139*	127*	113*	100.0*	89.5*	79.6*	69.4*				30
32		155*	145*	135*	122*	110*	99.4*	88.4*	77.5*	67.2*	58.8*			32
34		148*	139*	129*	118*	107*	97.2*	86.3*	75.4*	65.1*	56.2*	51.2*		34
36		142*	135*	125*	115*	104*	95.2*	85.7*	74.3*	64.3*	55.3*	48.9*	43.8*	36
38			128*	121*	111*	101*	92.5*	82.9*	73.2*	63.5*	54.3*	47.5*	41.4*	38
40			119*	116*	108*	98.5*	90.3*	81.7*	72.5*	62.4*	52.9*	46.1*	40.2*	40
44				102*	98.8*	93.4*	85.5*	78.5*	70.1*	61.3*	52.1*	45.4*	38.8*	44
48					88.9*	87.1*	85.2*	82.2*	75.6*	66.7*	59.9*	50.8*	44.3*	48
52						77.2*	76.2*	74.1*	71.4*	63.6*	58.5*	49.6*	43.2*	52
56							67.2*	66.3*	65.1*	61.4*	56.5*	48.8*	42.1*	56
60								59.8*	59.2*	58.4*	55.9*	54.3*	47.5*	60
64									52.4*	51.9*	50.7*	49.8*	45.6*	64
68										47.3*	46.4*	44.9*	42.3*	68
72											41.6*	41.5*	41.5*	72
76												38.1*	37.2*	76
80													34.3*	80
84														84
88														88
92														92
96														96
100														100

**Load Chart of LJDB Configuration**

SCC6500A Crawler Crane - Load Chart of LJDB Configuration 7/10														
Main boom 78m, main boom angle 85°, jib length 24-96m, lifting mast 36m, lifting radius 19m, lifting counterweight 310t, rear counterweight 210t and center counterweight 60t														
Radius (m)	24	30	36	42	48	54	60	66	72	78	84	90	96	Radius (m)
18	205*													18
20	193*	173*	151*											20
22	185*	165*	148*	131*										22
24	176*	159*	143*	129*	115*									24
26	169*	153*	138*	125*	113*	103*	90.5*							26
28	162*	147*	133*	121*	110*	100.0*	87.9*	78.5*						28
30	156*	142*	129*	118*	106*	97.5*	86.5*	76.4*	69.5*					30
32	153*	136*	124*	114*	103*	94.8*	85.3*	75.2*	66.3*	60.4*				32
34		133*	120*	110*	100.0*	92.6*	84.1*	73.6*	65.2*	58.1*	52.5*	45.4*		34
36		129*	115*	107*	97.5*	90.2*	83.2*	71.2*	63.4*	56.3*	50.2*	43.2*	37.5*	36
38		120*	112*	102*	94.1*	87.1*	80.4*	69.9*	62.2*	55.2*	48.2*	42.1*	35.4*	38
40			109*	100.0*	91.2*	84.2*	78.7*	68.7*	60.5*	54.1*	47.3*	41.3*	34.2*	40
44				95.8*	93.2*	85.4*	81.3*	76.2*	65.1*	59.6*	53.6*	45.3*	40.5*	44
48					82.1*	78.9*	75.8*	72.1*	63.2*	58.5*	51.2*	44.2*	39.1*	48
52						69.8*	69.1*	67.6*	60.5*	56.2*	49.1*	42.1*	38.3*	52
56							62.1*	60.2*	57.3*	53.4*	47.5*	41.2*	36.2*	56
60								55.2*	54.1*	53.2*	50.2*	44.3*	38.9*	60
64									49.0*	48.0*	46.1*	42.5*	37.2*	64
68										43.2*	42.3*	41.2*	36.2*	68
72											39.3*	38.5*	37.1*	72
76												34.2*	33.8*	76
80													31.1*	80
84														84
88														88
92														92
96														96
100														100

**Load Chart of LJDB Configuration**

SCC6500A Crawler Crane - Load Chart of LJDB Configuration 8/10														
Main boom 84m, main boom angle 85°, jib length 24-96m, lifting mast 36m, lifting radius 19m, lifting counterweight 310t, rear counterweight 210t and center counterweight 60t														
Radius (m)	24	30	36	42	48	54	60	66	72	78	84	90	96	Radius (m)
18	190*													18
20	180*	157*												20
22	170*	152*	140*	123*										22
24	163*	147*	138*	121*	110*									24
26	155*	142*	133*	117*	106*	95.8*								26
28	145*	137*	130*	114*	103*	92.2*	82.5*	73.7*						28
30	141*	132*	126*	110*	100.0*	90.4*	80.4*	71.4*	63.8*					30
32	138*	126*	121*	107*	98.5*	88.6*	78.6*	70.3*	62.7*	55.6*				32
34		121*	117*	104*	94.4*	86.2*	76.5*	68.5*	60.4*	53.1*	46.3*			34
36		116*	113*	100.0*	91.5*	84.1*	74.2*	67.6*	59.2*	52.1*	45.2*	40.1*	33.7*	36
38		113*	109*	95.8*	88.6*	82.1*	73.3*	66.5*	58.3*	51.3*	44.1*	38.9*	32.2*	38
40			102*	94.4*	86.2*	80.6*	71.5*	65.4*	57.1*	50.4*	43.5*	38.1*	31.4*	40
44			89.9*	86.3*	80.7*	74.8*	68.5*	63.2*	55.7*	49.2*	42.2*	37.2*	30.3*	44
48				76.8*	74.3*	70.4*	64.4*	60.4*	53.6*	48.4*	41.2*	36.4*	29.1*	48
52					66.1*	64.3*	60.9*	58.6*	50.2*	47.3*	40.4*	35.3*	28.2*	52
56					58.9*	57.1*	56.1*	53.5*	49.3*	45.4*	38.9*	34.1*	27.5*	56
60						51.3*	50.1*	49.4*	47.4*	43.2*	38.2*	32.7*	26.1*	60
64							45.2*	44.4*	43.2*	40.8*	37.1*	31.2*	25.4*	64
68								40.2*	39.0*	38.0*	35.4*	30.5*	25.3*	68
72								35.8*	35.1*	34.5*	33.3*	29.4*	24.4*	72
76									32.2*	31.1*	30.3*	28.2*	23.5*	76
80										28.7*	27.7*	26.6*	22.2*	80
84										25.8*	24.7*	24.3*	21.4*	84
88											22.3*	21.8*	18.6*	88
92												20.1*	16.0*	92
96													18.5*	96
100														100

**Load Chart of LJDB Configuration**

SCC6500A Crawler Crane - Load Chart of LJDB Configuration 9/10														
Main boom 90m, main boom angle 85°, jib length 24-96m, lifting mast 36m, lifting radius 19m, lifting counterweight 310t, rear counterweight 210t and center counterweight 60t														
Radius (m)	24	30	36	42	48	54	60	66	72	78	84	90	96	Radius (m)
18	165*													18
20	162*	140*												20
22	155*	138*	128*											22
24	149*	135*	123*	110*	97.8*									24
26	143*	130*	120*	107*	95.5*	83.6*								26
28	138*	126*	115*	104*	93.4*	82.4*	73.9*							28
30	131*	121*	112*	103*	91.2*	81.1*	72.5*	64.6*						30
32	126*	116*	108*	100.0*	89.6*	80.2*	71.4*	63.4*	55.8*	49.5*				32
34		113*	103*	97.5*	87.2*	78.5*	70.3*	62.5*	54.6*	48.4*	43.5*			34
36		108*	100.0*	94.3*	84.4*	77.2*	69.5*	61.7*	53.2*	47.6*	42.1*	36.7*		36
38		105*	98.5*	90.9*	82.6*	75.6*	67.7*	60.2*	52.5*	46.2*	41.6*	35.8*	30.5*	38
40			93.1*	87.8*	79.5*	73.4*	65.6*	59.3*	51.4*	45.1*	40.4*	34.5*	29.4*	40
44			81.9*	79.2*	75.4*	70.1*	62.3*	57.8*	50.2*	44.2*	39.5*	33.2*	28.2*	44
48				70.2*	67.7*	65.2*	60.1*	55.2*	49.4*	43.4*	38.6*	32.4*	27.3*	48
52					60.5*	57.8*	56.2*	52.4*	47.6*	41.1*	37.2*	31.3*	26.5*	52
56					54.4*	52.2*	51.1*	48.9*	45.4*	39.4*	35.1*	30.5*	25.4*	56
60						47.1*	45.2*	44.6*	42.9*	36.5*	33.4*	29.4*	24.1*	60
64							41.4*	40.3*	39.0*	35.2*	31.4*	28.2*	24.1*	64
68								36.8*	35.7*	35.4*	33.2*	30.2*	27.6*	68
72									33.1*	32.3*	31.2*	29.2*	26.5*	72
76										29.1*	28.3*	27.2*	25.4*	76
80											25.4*	24.4*	23.2*	80
84											23.3*	22.6*	21.4*	84
88												20.2*	19.2*	88
92													18.1*	92
96														96
100														100

**Load Chart of LJDB Configuration**

**Notes**

SCC6500A Crawler Crane - Load Chart of LJDB Configuration 10/10														
Main boom 96m, main boom angle 85°, jib length 24-96m, lifting mast 36m, lifting radius 19m, lifting counterweight 310t, rear counterweight 210t and center counterweight 60t														
Radius (m)	24	30	36	42	48	54	60	66	72	78	84	90	96	Radius (m)
20	150*	130*												20
22	140*	125*	110*											22
24	133*	120*	107*	95.7*										24
26	129*	115*	105*	93.2*	85.6*	73.4*								26
28	122*	110*	100.0*	91.4*	83.3*	72.6*	64.7*							28
30	115*	106*	98.5*	89.5*	80.5*	71.5*	63.6*	57.6*						30
32	113*	103*	95.4*	85.4*	78.1*	70.2*	62.5*	56.2*	49.9*					32
34	110*	100.0*	91.7*	83.3*	75.6*	69.6*	61.2*	55.1*	48.2*	43.6*	37.7*			34
36		95.4*	89.2*	81.2*	73.4*	68.5*	60.6*	54.3*	47.5*	42.4*	36.5*	32.6*		36
38		91.1*	83.2*	77.9*	70.1*	67.2*	59.4*	53.7*	46.1*	41.2*	35.6*	31.5*	25.6*	38
40			81.4*	76.4*	69.7*	65.1*	58.3*	52.2*	45.2*	40.2*	34.2*	30.4*	25.4*	40
44			76.4*	71.6*	65.5*	61.3*	57.2*	50.5*	44.4*	39.4*	33.4*	29.2*	24.8*	44
48				65.8*	62.2*	58.2*	55.4*	48.6*	42.2*	38.6*	32.5*	28.3*	24.3*	48
52					56.4*	55.0*	51.2*	46.4*	41.3*	36.5*	31.5*	27.4*	23.2*	52
56					50.9*	49.2*	47.4*	43.3*	37.8*	35.1*	30.4*	26.1*	22.5*	56
60						44.2*	42.7*	41.5*	36.2*	33.7*	29.1*	25.4*	21.1*	60
64							37.9*	37.4*	34.3*	32.6*	28.7*	23.9*	20.3*	64
68							35.0*	34.1*	32.7*	30.5*	27.6*	22.8*	19.5*	68
72								31.1*	29.2*	28.2*	26.5*	22.1*	18.1*	72
76									27.0*	26.1*	24.3*	21.2*	17.3*	76
80									23.9*	23.7*	22.1*	20.3*	16.2*	80
84										21.8*	20.2*	19.1*	15.4*	84
88											18.1*	17.8*	14.7*	88
92												16.2*	13.2*	92
96												15.0*	12.6*	96
100													11.3*	100

**Notes**

---



## Zhejiang Sany Equipment Co.,LTD

Sany Industrial Park, No.2087 Daishan Road, Wuxing District, Huzhou, Zhejiang Province, China Zip 313028  
Service hotline 400 887 8318  
Complaints hotline 400 887 9318

— Gent information —

### Reminder:

For safe and reliable operation of the diesel engines, please fill Grade IV machines with Grade IV diesel and urea solution conforming to related national standards. Please refer to the operating instructions and related standards for details.

Any change in the technical parameters and configuration due to advancement in technology may occur without prior notice. The machine in the figures may include auxiliary equipment. This brochure is for reference only, and goods in kind shall prevail. Copyright at Sany Heavy Industry. No part of this catalogue may be copied, recorded or used for any purpose without written approval from Sany Heavy Industry.

© Printed in November 2016 in China

[www.sany.com.cn](http://www.sany.com.cn)



Instantly scanning for reading more